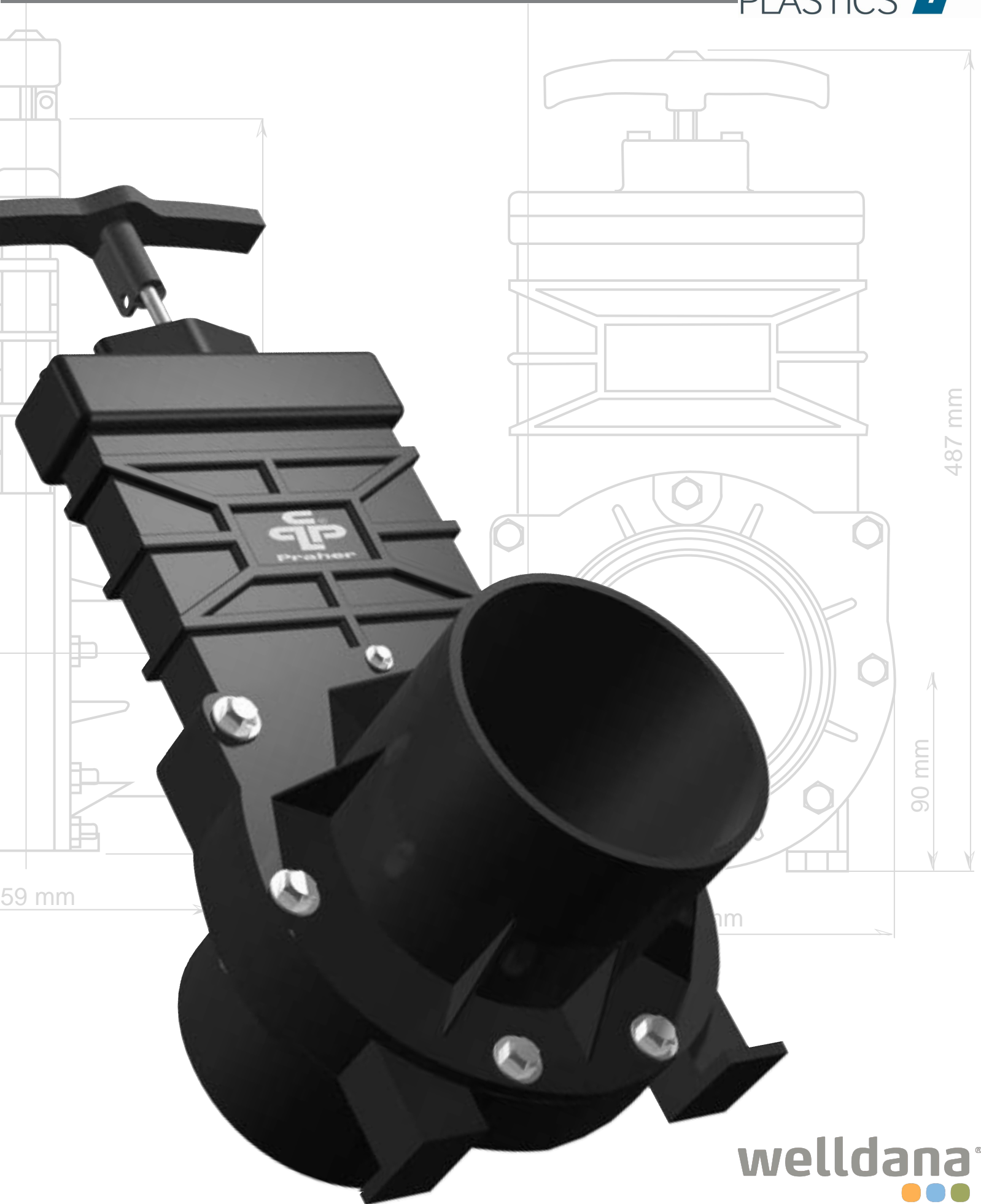
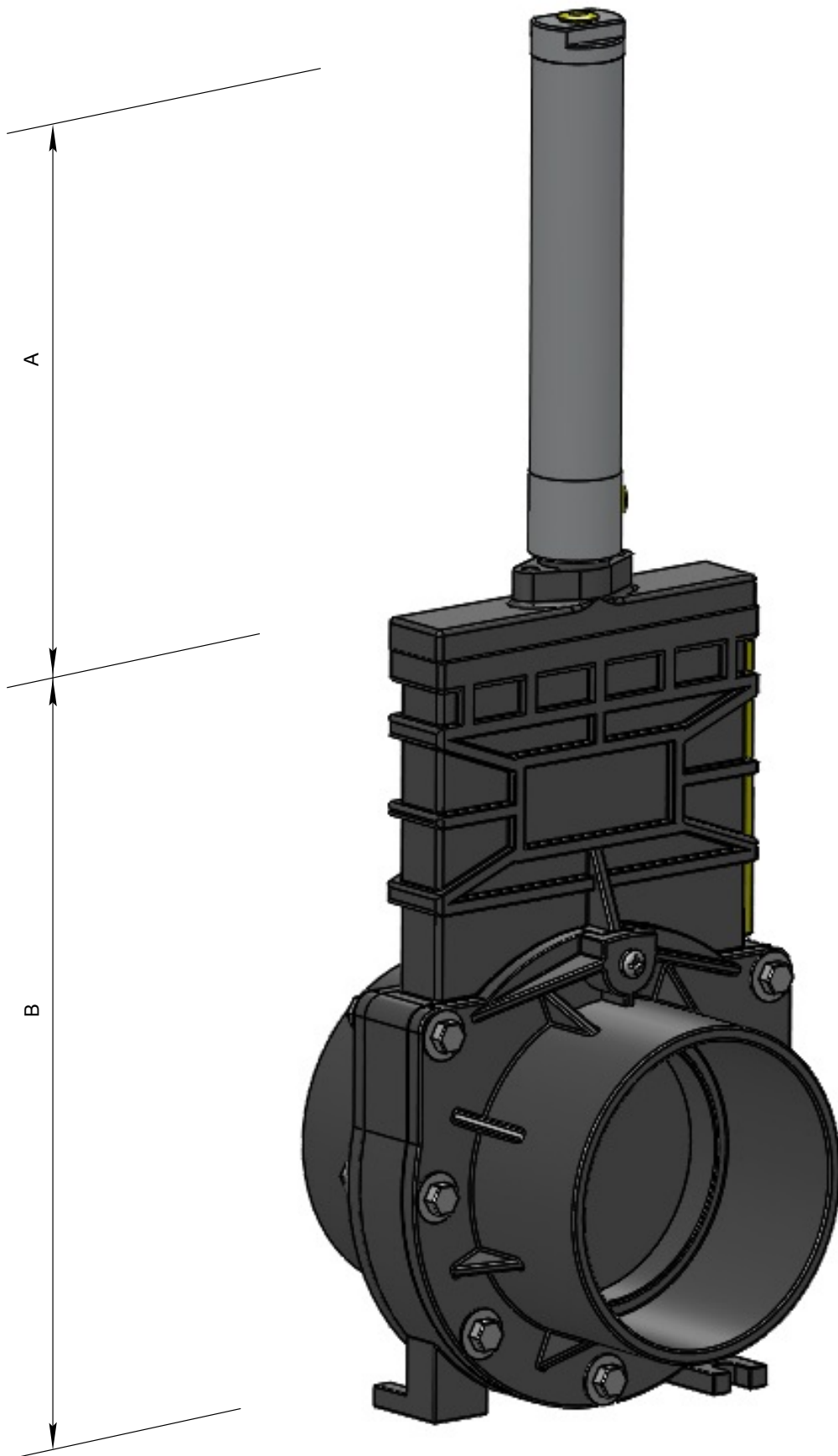


# Plastic Knife Gate Valves

**PRAHER**  
PLASTICS



# Actuated Valve



## FEATURES

- Custom made Aluminum/Stainless Steel double-acting air cylinder with 1/8" FPT ports\*
- Built for maximum performance and reliability
- Cylinders for chemically treated water are also available
- Magnetic piston standard on all cylinders
- Optional positioning switch magnetically activated

\*60 psi minimum air pressure required to operate cylinder.

## OPTIONAL ACTUATOR CONVERSION KIT

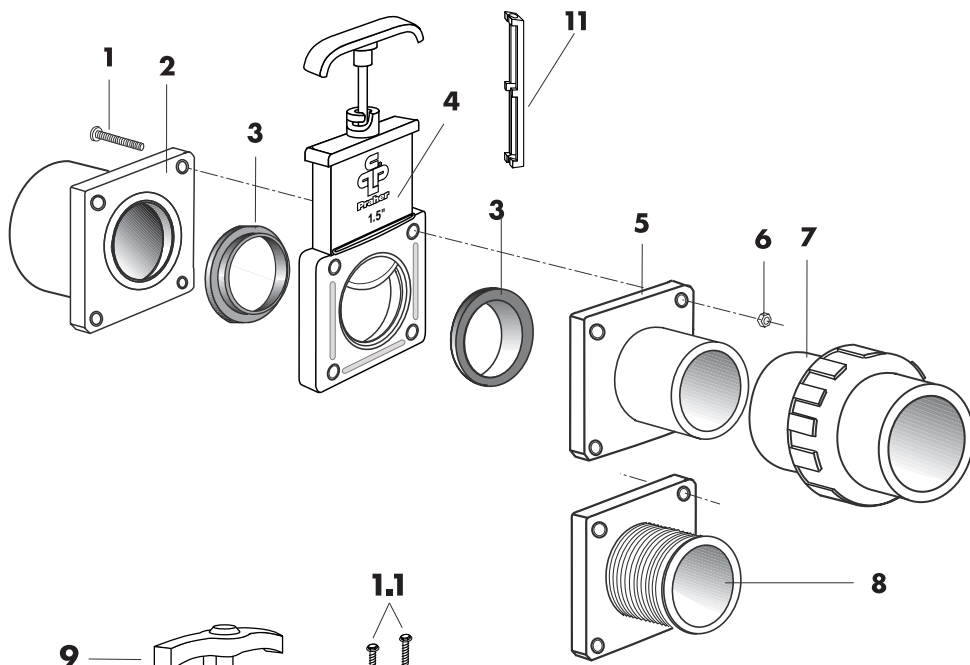
This kit allows the conversion of a manual valve to an actuated valve. Kit includes cylinder and mounting hardware. No special tools required for assembly.

### Description

200-GAIR	2" Gate Valve with Air Actuator D.A.
300-GAIR	3" Gate Valve with Air Actuator D.A.
400-GAIR	4" Gate Valve with Air Actuator D.A.
M14310	2" Pneumatic Air Cylinder
M13749	3" & 4" Pneumatic Air Cylinder

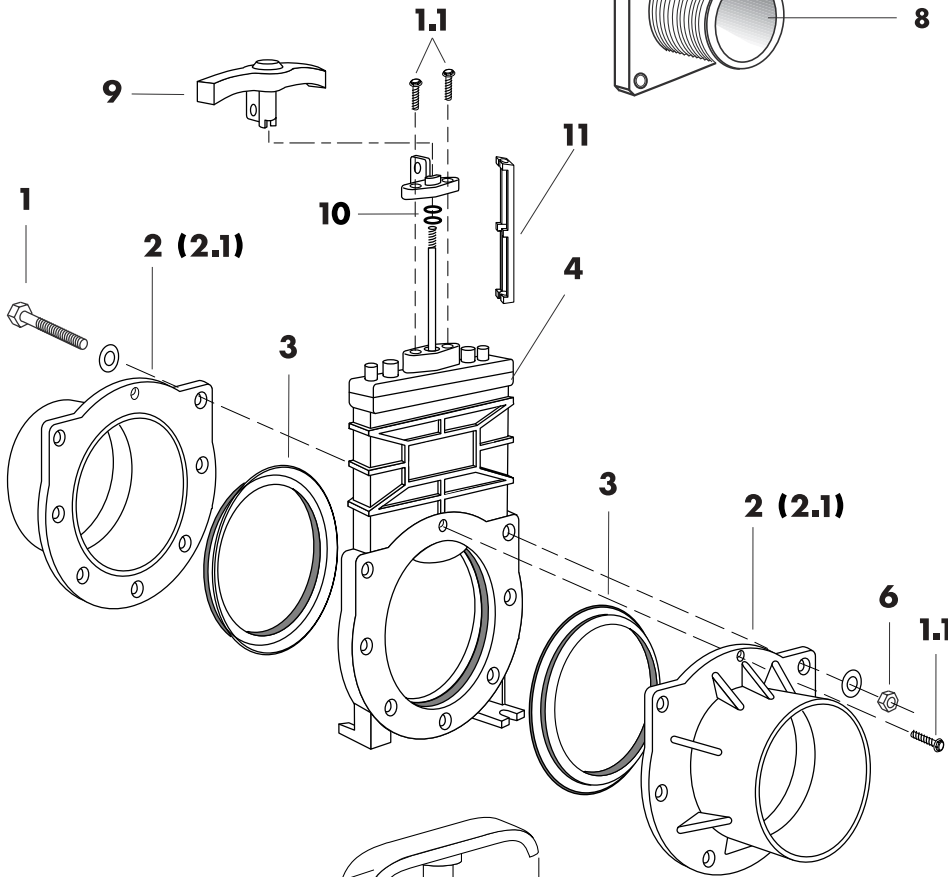
### Dimensions

Part #	A	B
200-GAIR	142.5 mm	148 mm
300-GAIR	220 mm	300 mm
400-GAIR	220 mm	300 mm



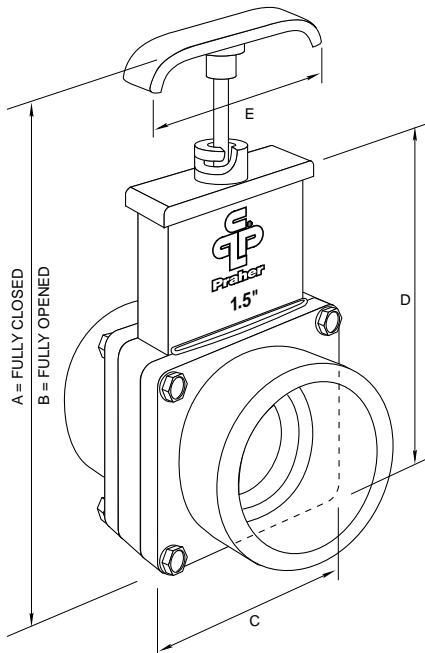
## 1" - 2.5"

- 1 BOLT (set of 4)
- 2 PVC-SOCKET END
- 3 GASKET (set of 6)
- 4 BODY ASSEMBLY
- 5 SPIGOT END PVC
- 6 LOCKNUT (set of 4)
- 7 DISCONNECT UNION PVC SOCKET X SOCKET
- 8 MPT-END PVC
- 9 GATEKEEPER SAFETY-CLIP (optional)



## 3" - 4"

- 1 BOLT (set of 7) 5/16" x 2
- 1.1 SELF-TAPPING SCREW
- 2 PVC-SOCKET END - ASTM
- 2.1 PVC-SOCKET END - METRIC
- 3 TPE GASKET
- 4 BODY ASSEMBLY WITH HANDLE
- 6 5/16" SS HEXNUT
- 9 HANDLE ONLY
- 10 SHAFT O-RINGS
- 11 GATEKEEPER SAFETY-CLIP (optional)



	1.0" & 1.5"		2.0"		2.5"		3.0" & 4.0"	
	Inches	mm.	Inches	mm.	Inches	mm.	Inches	mm.
<b>A</b>	5.76	146.5	6.63	168.5	8.3	211.5	15.35	390.0
<b>B</b>	7.36	187.0	8.86	225.0	11.1	284	19.57	497.0
<b>C</b>	2.87	73.0	3.35	85.0	4.1	104	7.09	180.0
<b>D</b>	4.96	126.0	5.78	147.0	7.1	181	11.81	300.0
<b>E</b>	2.76	70.0	2.76	70.0	3.7	94.3	4.72	120.0