

welldana®



pool spa sauna wellness

Welldana A/S
Randersvej 6 · DK-6700 Esbjerg
Phone +45 75 27 23 33
Fax +45 75 27 21 11
E-mail: info@welldana.com
www.welldana.com

Manual Welldana® Sand Filter.



Welldana A/S reserves the right to make product changes without any notice.
Copyright. Welldana A/S

Edition 1.0 01-2008.

Language: GB. 

Congratulations with your new Image® Sand Filter.

Please read this manual carefully before installing and operating the Image® Sand Filter. When receiving the Image® Sand Filter, please check for transport damage immediately.

Table of contents:

1. Technical data.
2. Installation.
3. Maintenance.
4. Warning.
5. Spare parts.

1. Technical data.

Image® Sand Filter.							
Top mounted.	Diameter in mm.	Height in mm.	Filter area in m ²	Max flow in m ³ /hour	Sand in Kg.	Connection adaptor.	Sand size.
45-150400	400	720	0,11	6,3	50	50mm.	0,4-0,8
45-150500	533	830	0,2	11,5	70	50mm.	0,4-0,8
45-150650	635	950	0,3	16,2	100	50mm.	0,4-0,8
Side mounted.							
45-160500	533	770	0,2	10,5	70	50mm.	0,4-0,8
45-160650	635	848	0,3	14,5	100	50mm.	0,4-0,8
Max. Working pressure 2,5 kg/cm ²							
Max. Working temperature 50 °C							
Pressure test 4,0 kg/cm ²							
Manufactured in fibre glass and ABS.							
The parcel includes 3 pcs. adaptors 1½" x 50mm. for the 6-way multi valve.							

2. Installation.

- The sand filter must be placed non-freezing.
- The location must have a drain / waste system, which can cope with the water quantity when a backwash is carried out.
- If the pool is closed for the winter, must the filter be drained, by loosen the drainage screw in the bottom of the sand filter.
- Fill the sand filter up to ⅓ level with water. Fill the sand filter with the specified quantity of sand.
- Please use the plastic sand protection hood.
- The water flow in m³/hour on the sand filter must not be exceeded.

6-way multi valve:

- A. **Pump** = Input to the sand filter from the filter pump.
- B. **Return** = Output from the sand filter to the pool or spa.
- C. **Waste** = Output from the sand filter to drain / waste.

Please see pipe connection Fig 1.

6-way multi valve – top mounted filter.

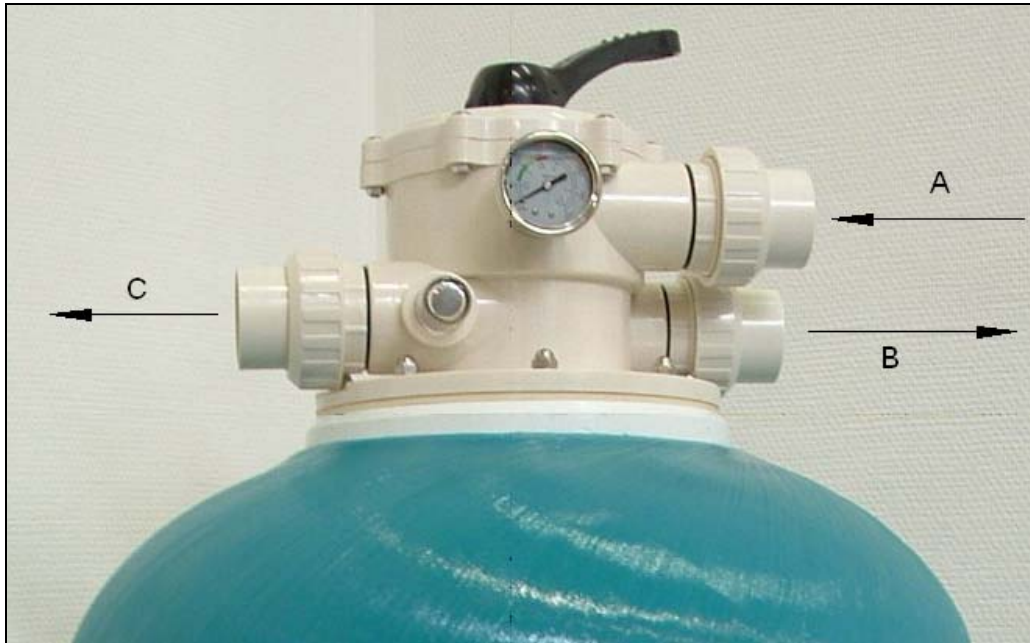
- Assemble the sight glass and pressure guide onto the valve, and mount it on the sand filter using the washer and nuts.
- Important: remember to remove the plastic sand protection hood from the centre pipe.

6-way multi valve – side mounted filter.

- Assemble the sight glass onto the valve.
- Assemble the pressure guide and air release valve onto the top lid.
- Glue the lower L pipe onto the valve. A small notch on the valve and pipe shows the direction of the pipe.
- **Important**, do **not** use Pevicol glue. Use only glue for ABS plastic.
- Fix the complete valve right away onto the sand filter. Hereby will small inaccuracies between the adaptors and valve pipes be absorbed in the glue joint.
- Lubricate the thread and O-rings with silicone pasta.
- Important: remember to remove the plastic sand protection hood from the top diffuser.

Pipe connection Fig. 1.

- A. **Pump** = Input to the sand filter from the filter pump.
- B. **Return** = Output from the sand filter to the pool or spa.
- C. **Waste** = Output from the sand filter to drain / waste.



3. Maintenance.

The pressure gauge has a 0 – 3,5kg/cm² scale.

A typical installation gives a pressure over the sand filter between 0,8 and 1,3 kg/cm² (green and yellow)
Please back wash the sand filter frequently, especially if the pressure goes into or over the red scale area.

Position for the 6-way multi valve.

- | | |
|-----------------|---|
| 1. Filtration. | The pool water filtrates. (main position) |
| 2. Waste. | The pool water goes directly to waste / drain. |
| 3. Closed. | No circulation through the sand filter. Do not start the pump. |
| 4. Back wash. | The pool water back wash the filter, and goes directly to the waste / drain.
Please see the sight glass, normally is the water clear after 60 – 90 sec. |
| 5. Circulation. | The pool water circulates only through the multi valve. |
| 6. Rinse. | The pool water rinse away the last dirt, and goes directly to the waste / drain.
Normally is the rinse time about 20 – 60 sec. Please see the sight glass. |

A standard back wash sequence of the sand filter is 1 – 4 – 6 – 1.

Important: The filter pump must be turned off every time the valve handle is moved to a new position.
The handle has to be pushed down before it can be turned around.

4. Warning.

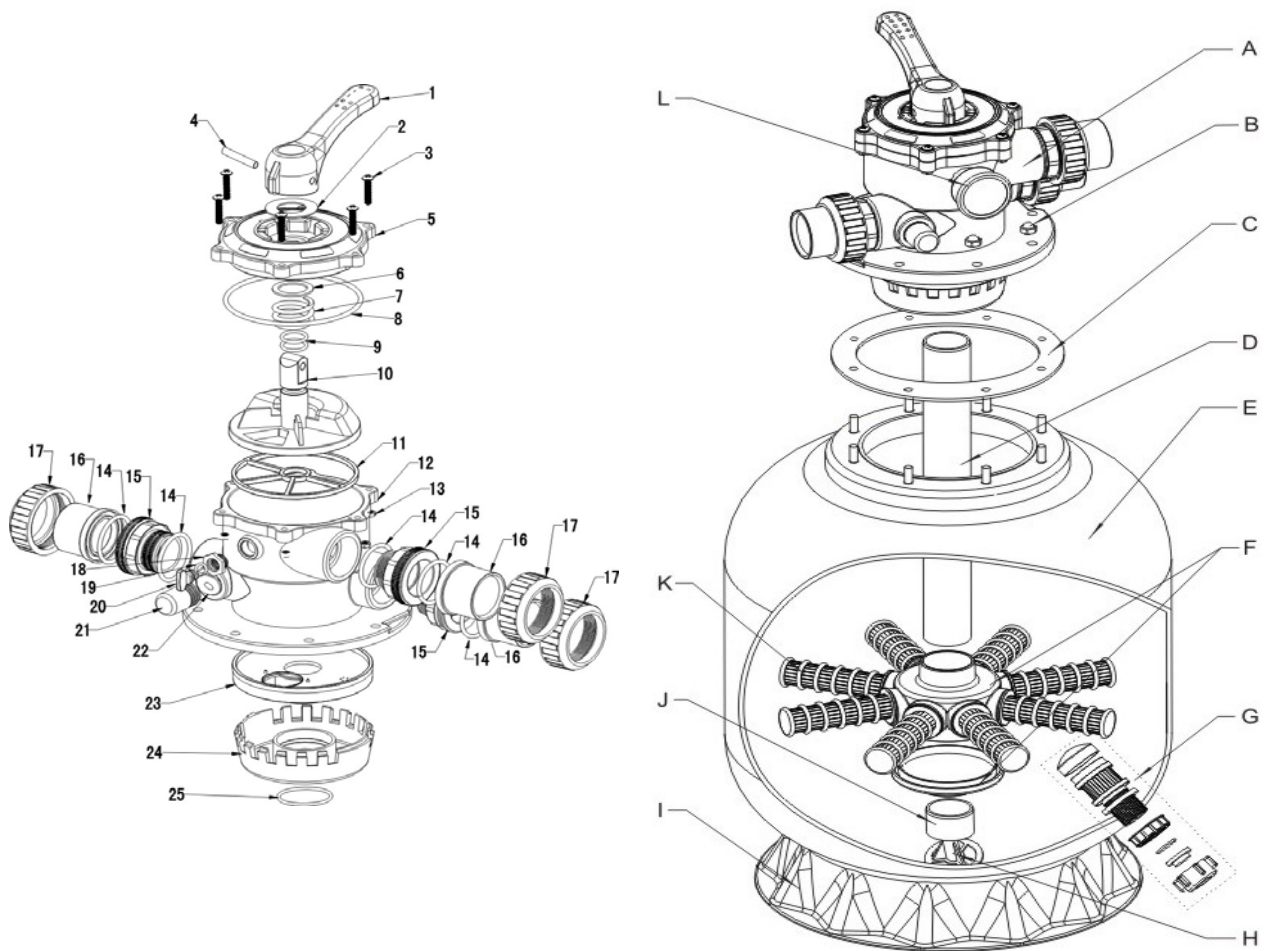
Do **not** use Pevicol glue. Use only glue for ABS plastic.

The filter pump must be turned off every time the valve handle is moved to a new position.

When a back wash sequence is taken place, please make sure, that chemical pumps, electrical heater ect. is turned off.

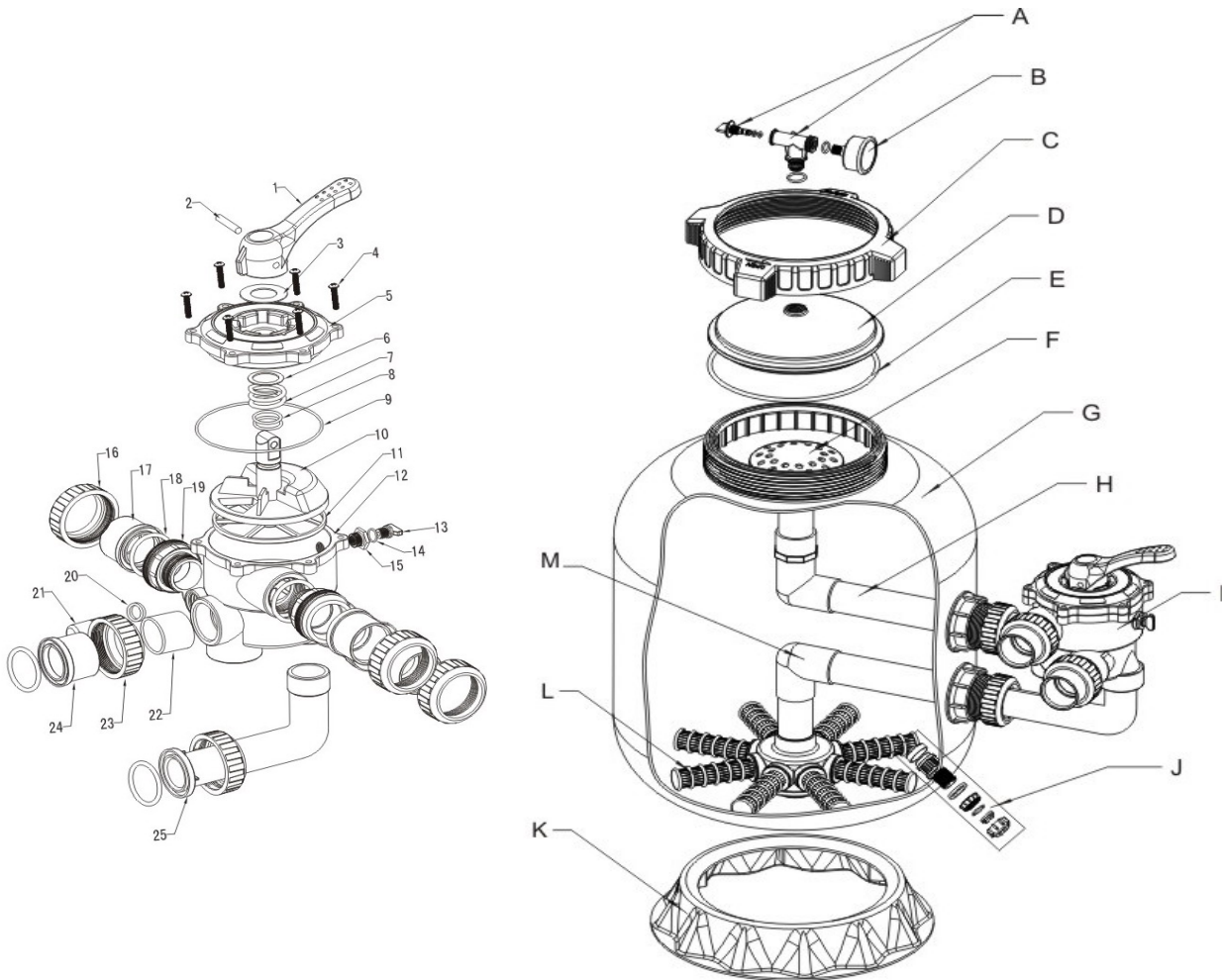
6. Spare parts.

Top mounted model.



Number	Item.	Art number.
A	6 way-multivalve 1½"	49-150000
B	Cap nut.	49-150001
B	Washer.	49-150001-1
C	Gasket for flange.	49-150002
D	Filter pipe for dia. 400mm.	49-150003
D	Filter pipe for dia. 500mm.	49-150003-1
D	Filter pipe for dia. 600mm.	49-150003-2
F	Lateral center for 8 pcs. laterals	49-150004
G	Drain valve. Complete.	49-150005
H	Lateral support.	49-150006
I	Foot for dia. 400mm. & 500mm.	49-150007
I	Foot for dia. 600mm.	49-150008
J	Filter pipe support.	49-150009
K	Lateral. All models	49-150010
L	Pressure gauge.	49-150012
Number	Item.	Art. number.
8	O-ring for 6-way multi valve.	49-150013
10	Valve plate.	49-150014
11	Stargasket.	49-150015
14-17	Complete adaptor 1½" x 50mm. (pen thread)	49-150016
19	O-ring for plug.	49-150017
20	Plug.	49-150018
21	Gasket for sight glass.	49-050044
22	Sight glass.	49-100172
25	O-ring for central filter pipe.	49-150019

Side mounted model.



Number	Item.	Art number.
A	Complete air ring.	49-150022
B	Pressure gauge.	49-150012
C	Lockring for lid.	49-150023
D	Lid.	49-150024
E	O-ring for lid.	49-150025
I	Complete 6-way-multivalve 1½"	49-160000
J	Complete drain valve.	49-150005
K	Foot for dia. 400mm. and 500mm.	49-150007
K	Foot for dia. 600mm.	49-150008
L	Lateral. All models.	49-150010
M	Lateral center for 8 pcs. laterals.	49-150004
Number	Item.	Art number.
9	O-ring for 6-way multivalve.	49-150013
10	Valve plate.	49-150014
11	Stargasket.	49-150015
14	O-ring for plug.	49-150017
13	Plug.	49-150018
16-19	Complete adaptor 1½" x 50mm. (pen thread)	49-150016
20	Gasket for sight glass.	49-050044
21	Sight glass.	49-100172
25	L pipe.	49-150021

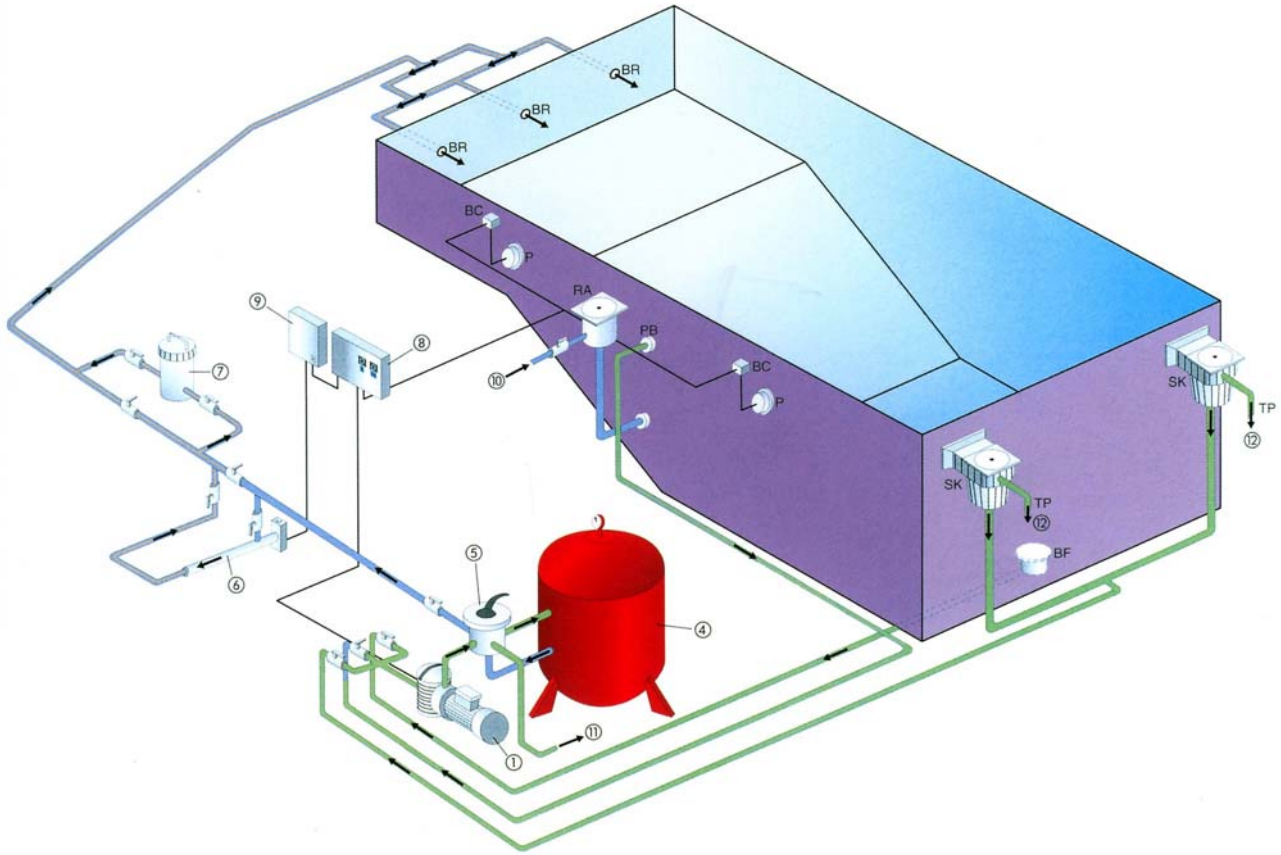
Top mounted model.



Side mounted model.



Principal drawing for sand filter installation for private pool.



Welldana A/S
Denmark