

SPA PREPLUMBED

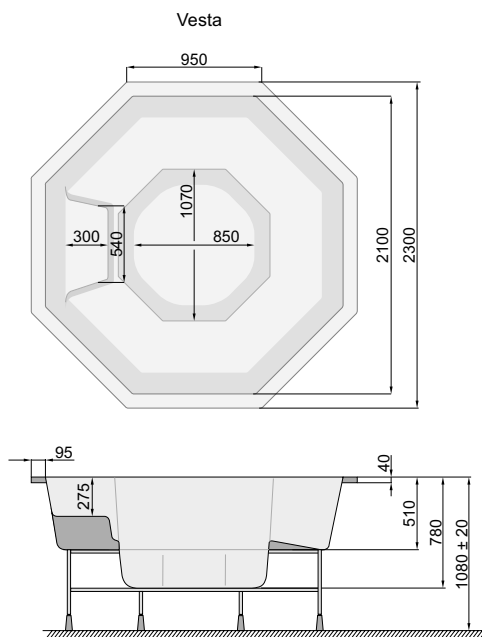
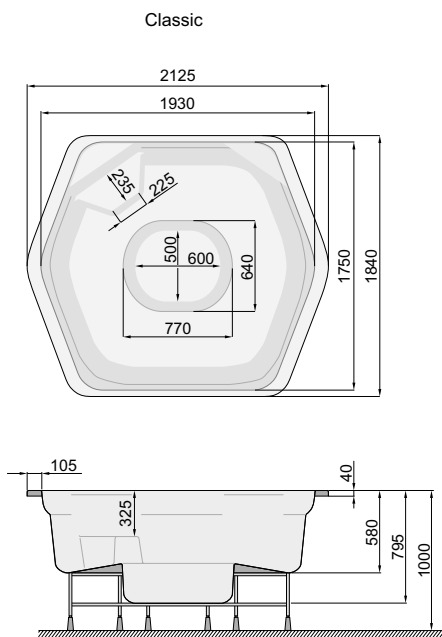
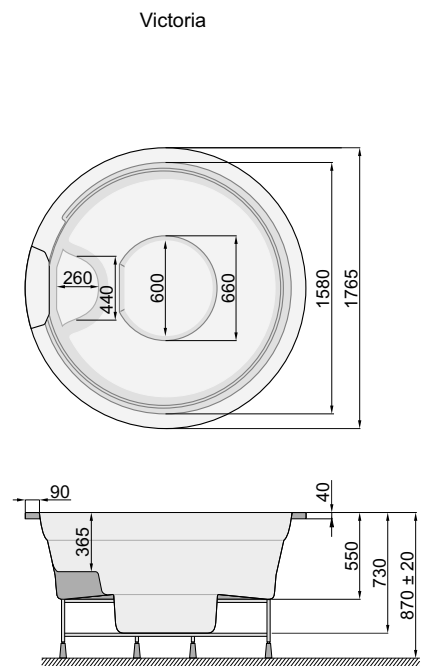
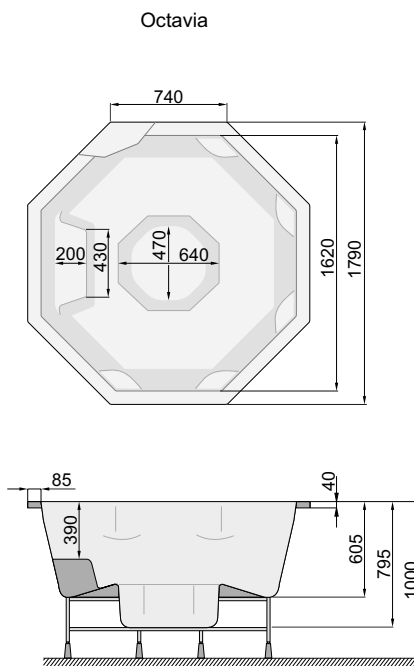
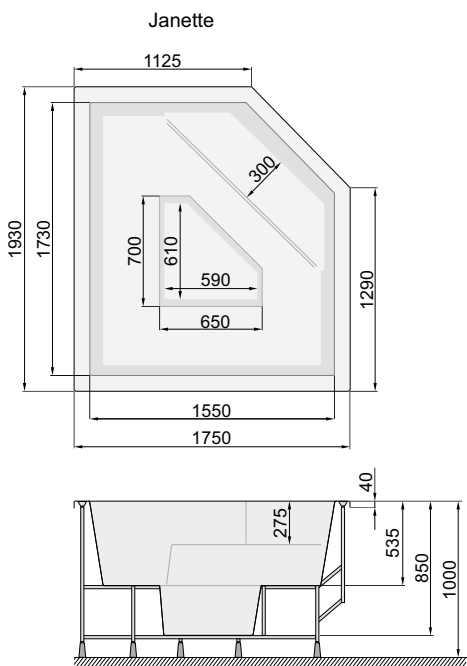


ENG
DA

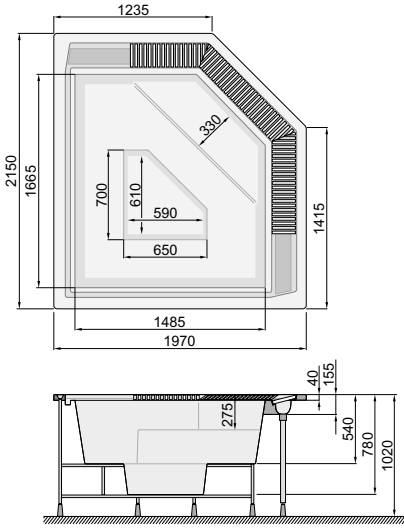


1. GENERAL INFORMATION

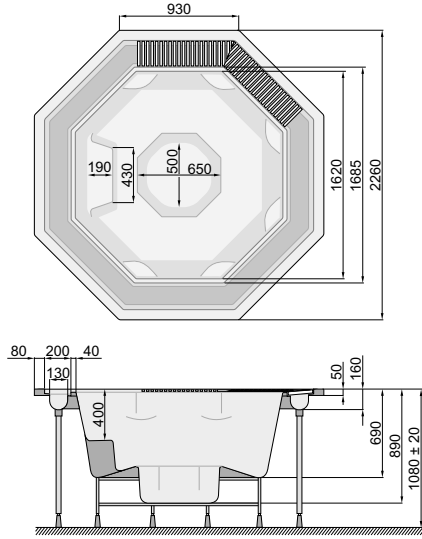
Capacity of SPA baths		
	with skimmer	with gutters
Janette	700 litres	900 litres
Octavia	850 litres	1050 litres
Victoria	800 litres	1100 litres
Classic	1100 litres	1400 litres
Vesta	1100 litres	1600 litres
Natalie		1300 litres
Olivia		2100 litres
Sunflower		2000 litres
Olimpia		2000 litres
Mila		1380 litres



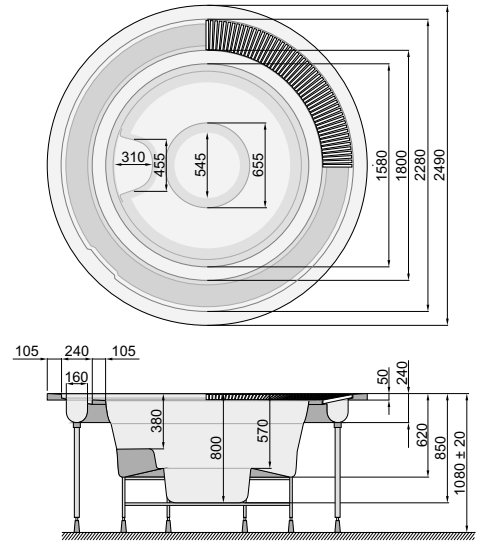
Janette



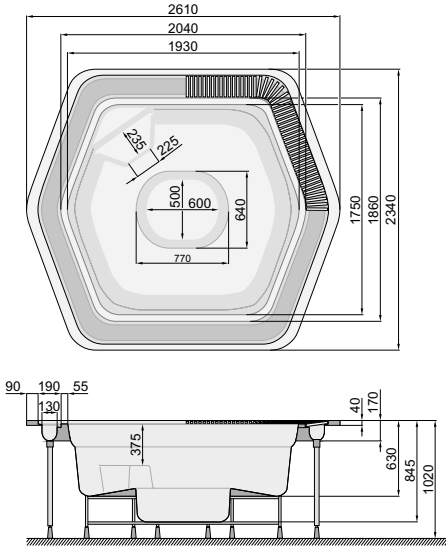
Octavia



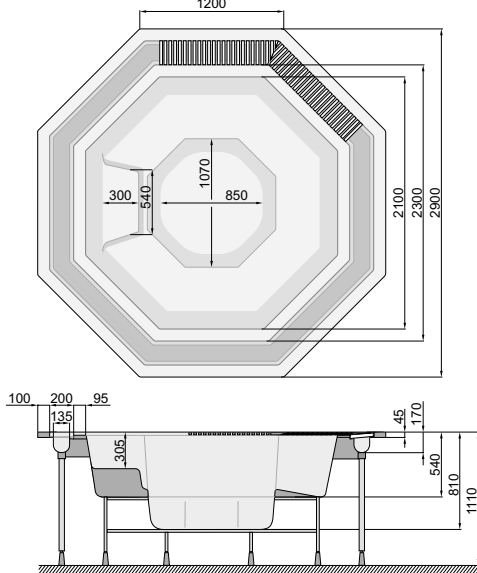
Victoria



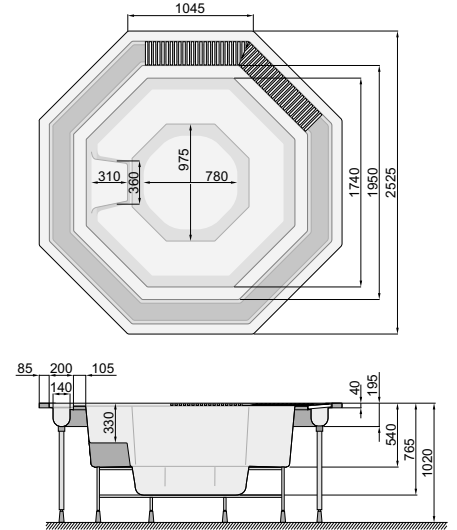
Classic



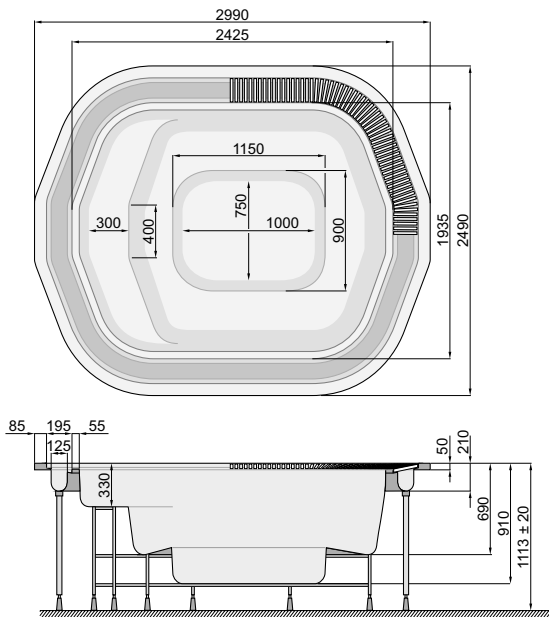
Vesta



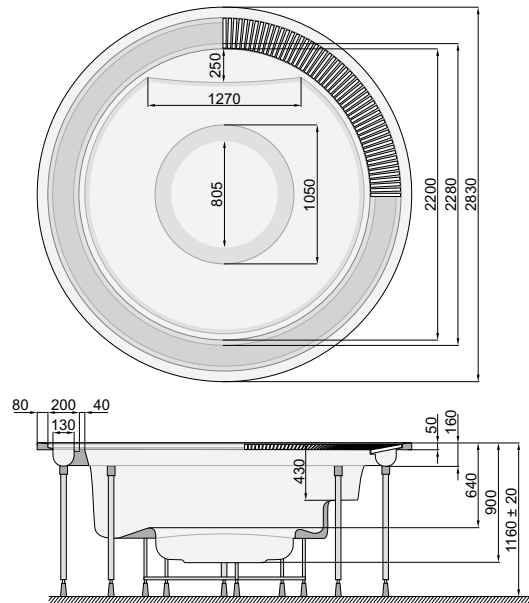
Natalie

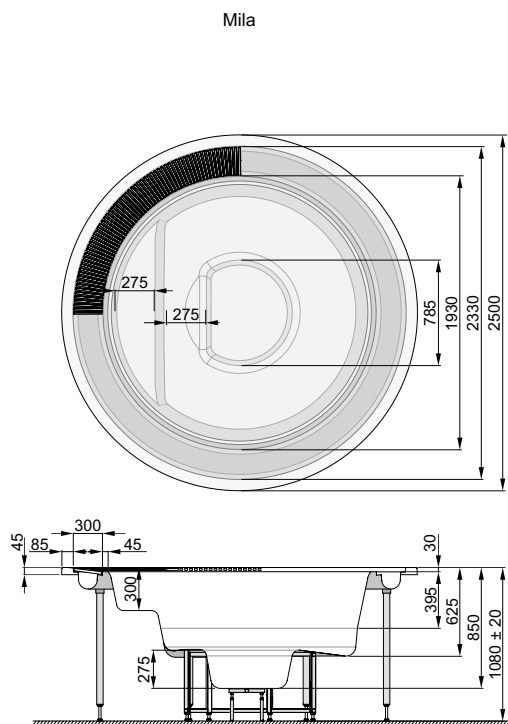
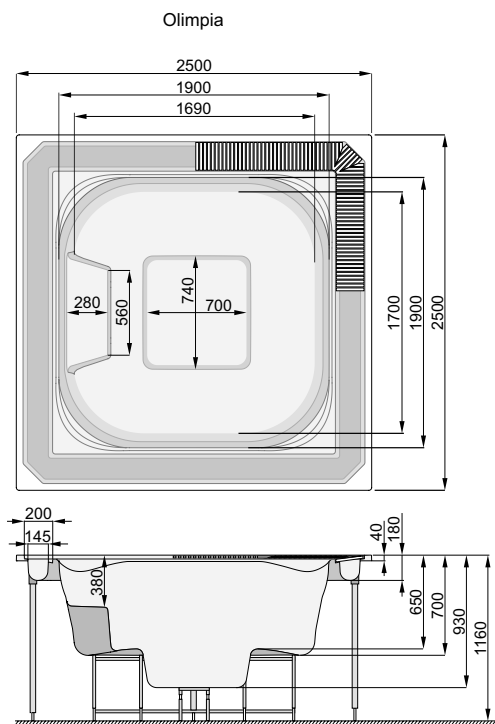


Olivia



Sunflower





1. SAFETY RULES

SPA bath will be supplied to the customer in an original packaging. Remove the packaging and carefully check the SPA bath before use. Notify your dealer about noticed discrepancies, if any.



It is prohibited to lift the bath by the piping. Always put the bath on the feet. Do not let it rest on the side wall. Make sure that the bath is properly secured if the installation work is carried out in the close vicinity.

Connection of the electrical system to the network and connection of the fittings to the water line should be carried out by authorized professionals.

2. PREPARATION OF THE INSTALLATION SITE

- The SPA bath can be used both in closed or open rooms.
- It should be placed on a **hard, levelled floor** to prevent the device from sinking and ensure proper operation.
- If the SPA bath is to be located in a closed room, make sure that enough space is provided to move the bath into the room.
- The dimensions of the bed plate the SPA bath is to be installed on should allow the installer to properly arrange the feet, conduits and cables (including sufficient access).
- Bear in mind the SPA bath emptying method.
- Pay attention to the material of the walls and the ceiling as they should be resistant to water steam produced during the SPA bath operation.
- In view of possible water splashing during the use of the SPA bath, the floor has to be made of a highly water resistant material such as tiles or plastic coats. Where a floor covering is used, it has to be adequately protected from bacteria which may develop in a moist environment. Use special rugs or coverings used in yachting. Parquet floors or any other wooden floors are not recommended unless they have been appropriately processed as in the case of wood used in gardening or outdoor structures.

3. INSTALLATION OF THE BATH AND THE ADDITIONAL ACCESSORIES

- To ensure proper operation of the SPA bath, install it on a firm and carefully levelled floor (providing for the drain slope), e.g. on a 10 cm thick cement slab to prevent the bath from sinking.
- Once the bath height is defined, prepare a cement block to rest the feet.

- The dimensions of the hollow and the cement block must be sufficient for the installer to properly arrange the feet, piping and the cables.
- All the connections between the optional equipment and the bath have to be made by gluing the pipes and the fittings. Metal pipes must not be used.
- Fill the bath with water to make sure the connections are tight.
- Do not fill the hollow around the bath with any materials as the access to all the pipes and connection points has to be maintained.
- It is recommended to install a floor drain in the bath installation area below the bath level.

4. LIGHTING (12VDC/AC - 1,5A - 50/60Hz)

The light switch must be provided by the customer.

The change of colors takes place after switching the light off and on again. The light colour changes in a sequence.

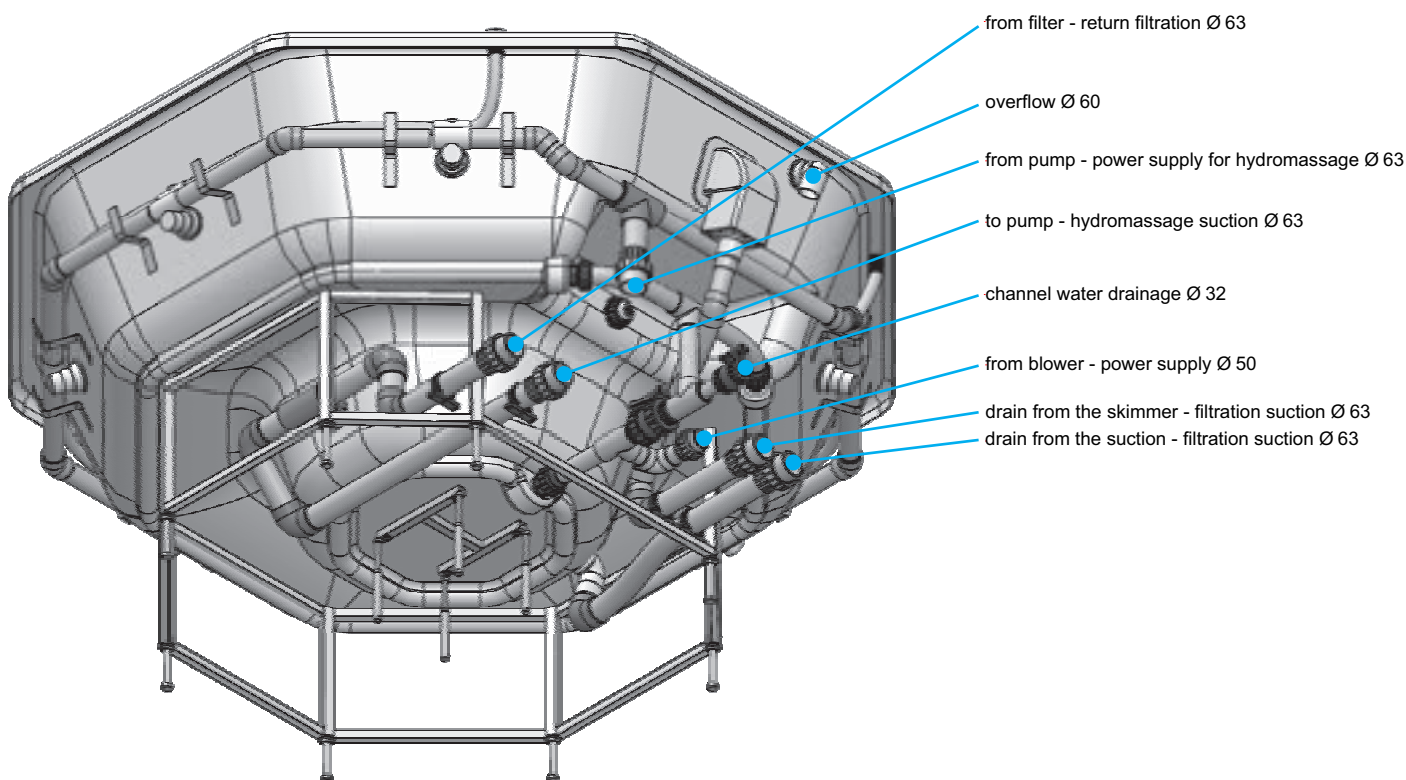
Colourful multi-point light settings:

6 brilliant colours and 4 colour transition programs

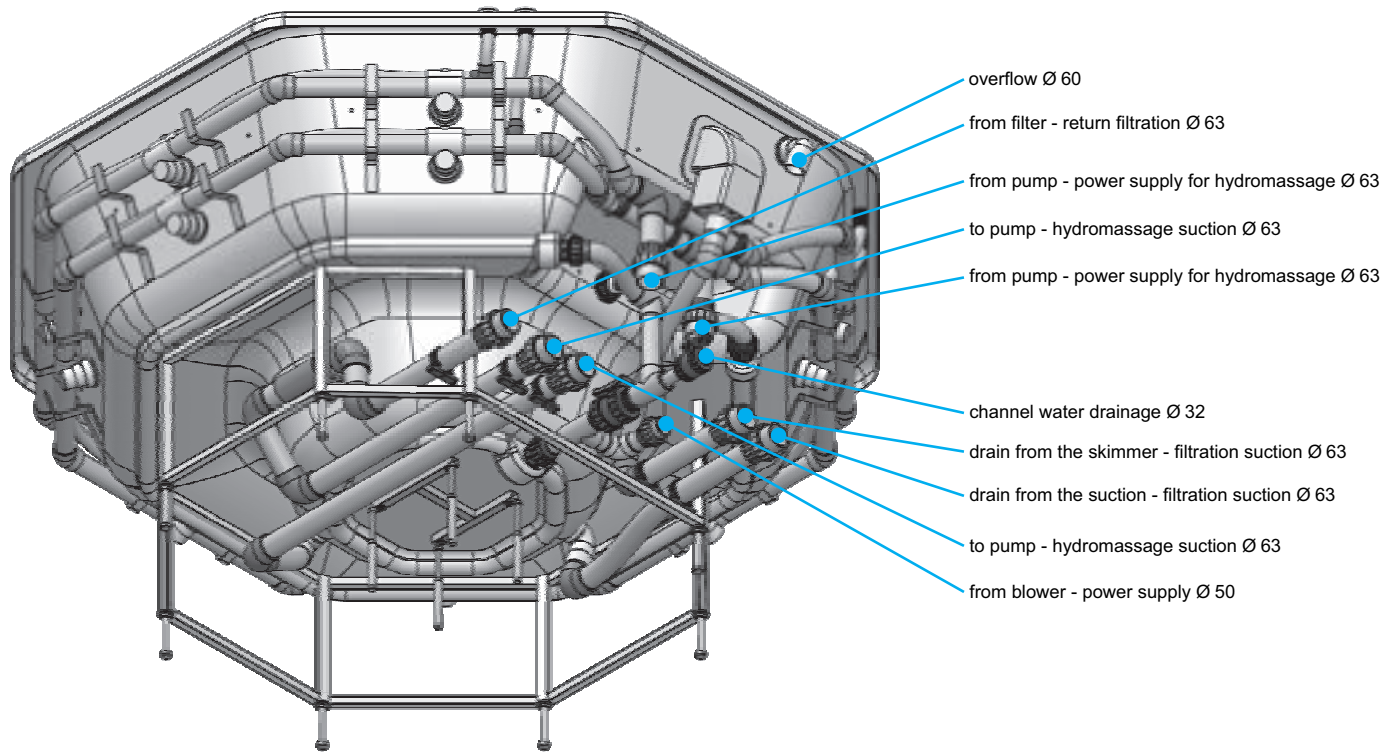
- **Tidal fade.** Cool colour mix, slow transitions between green and blue tones.
- **Afterburner Fade.** Warm colour mix – slow transitions between red and orange tones.
- **Spectrum Slowdance.** Slow transitions between all six colours.
- **Colour Burst.** Fast strobe through all six colours.

5. PLUMBING SCHEMES

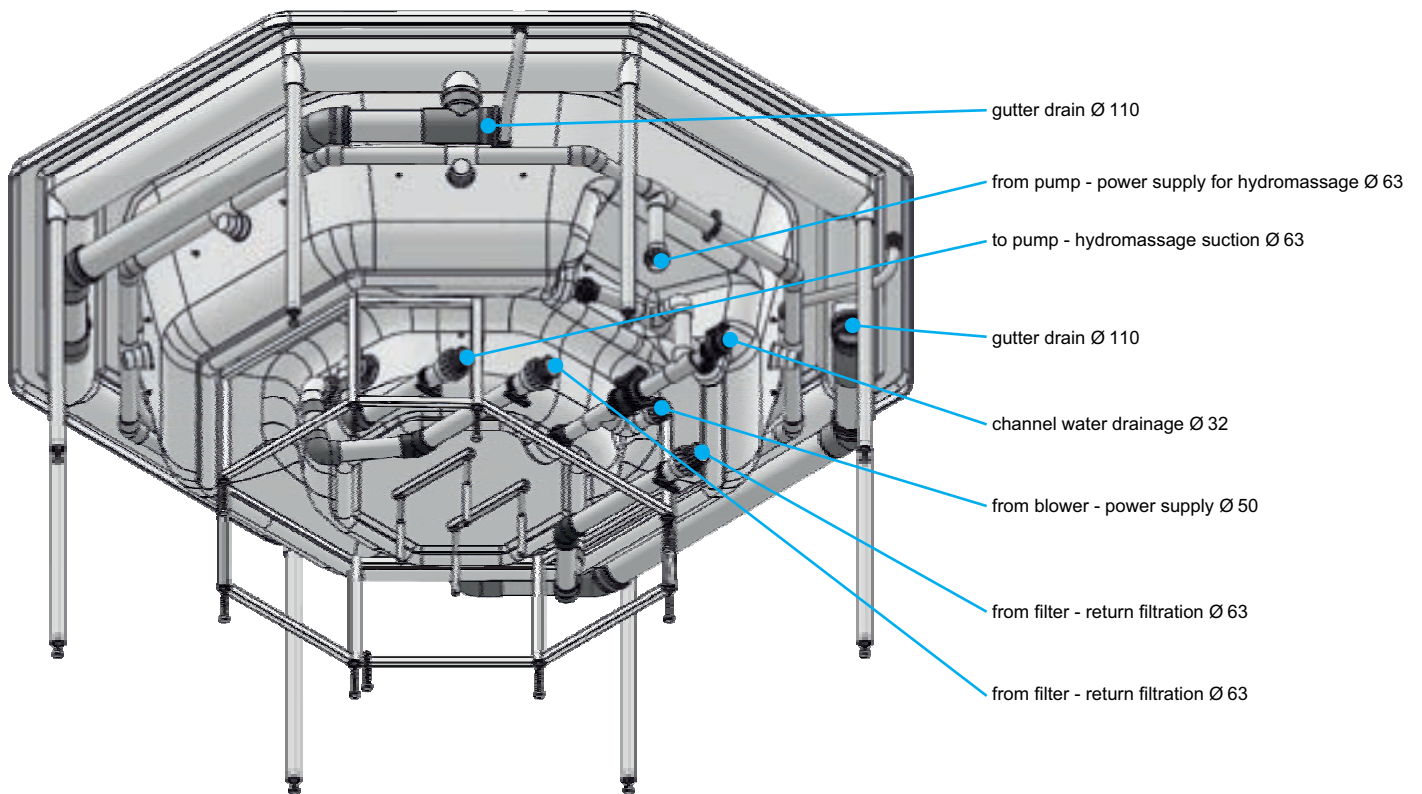
Plumbing scheme for a SPA bathtub with a skimmer and a single number of jets (U00), as found in the Vesta bathtub.



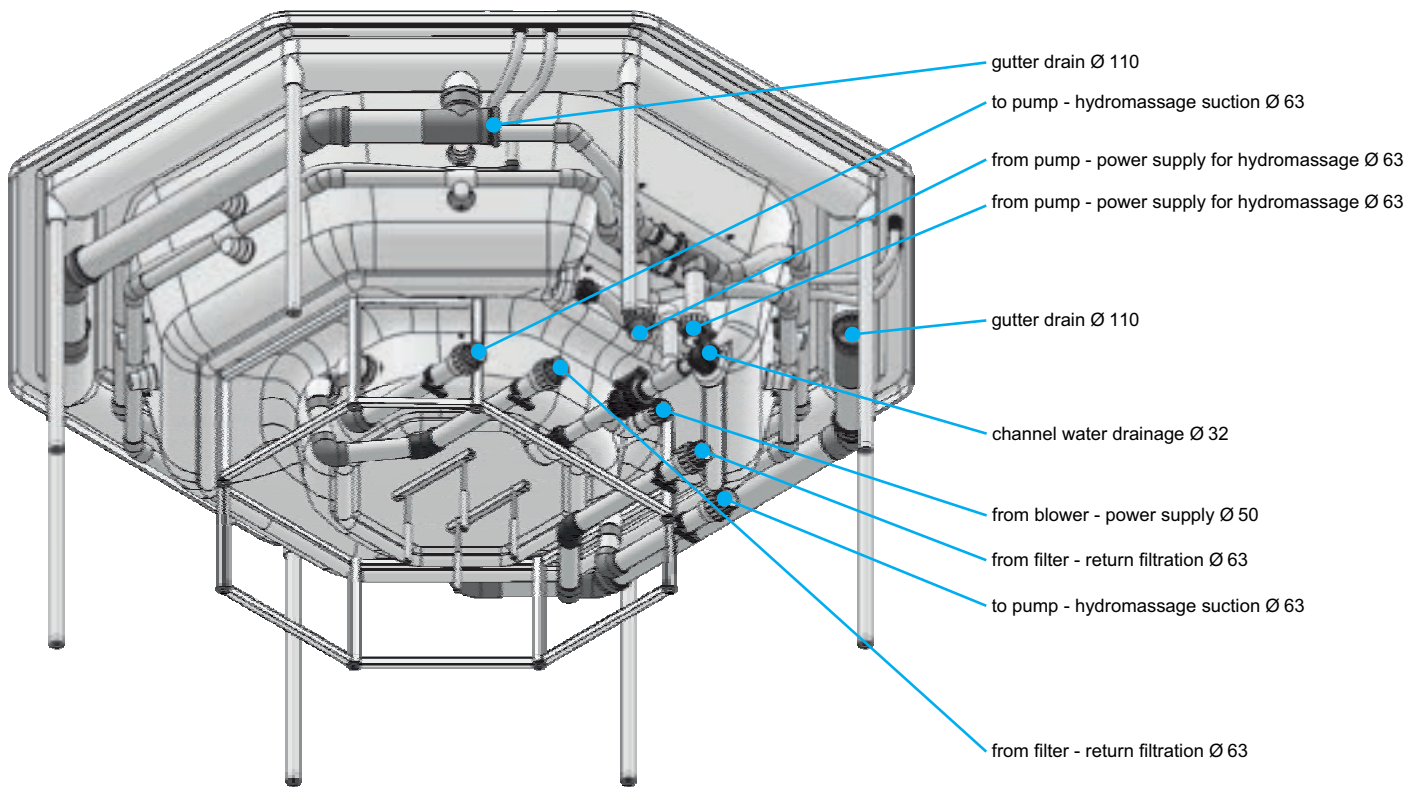
Plumbing scheme for a SPA bathtub with a skimmer and a double number of jets (U02), as found in the Vesta bathtub.



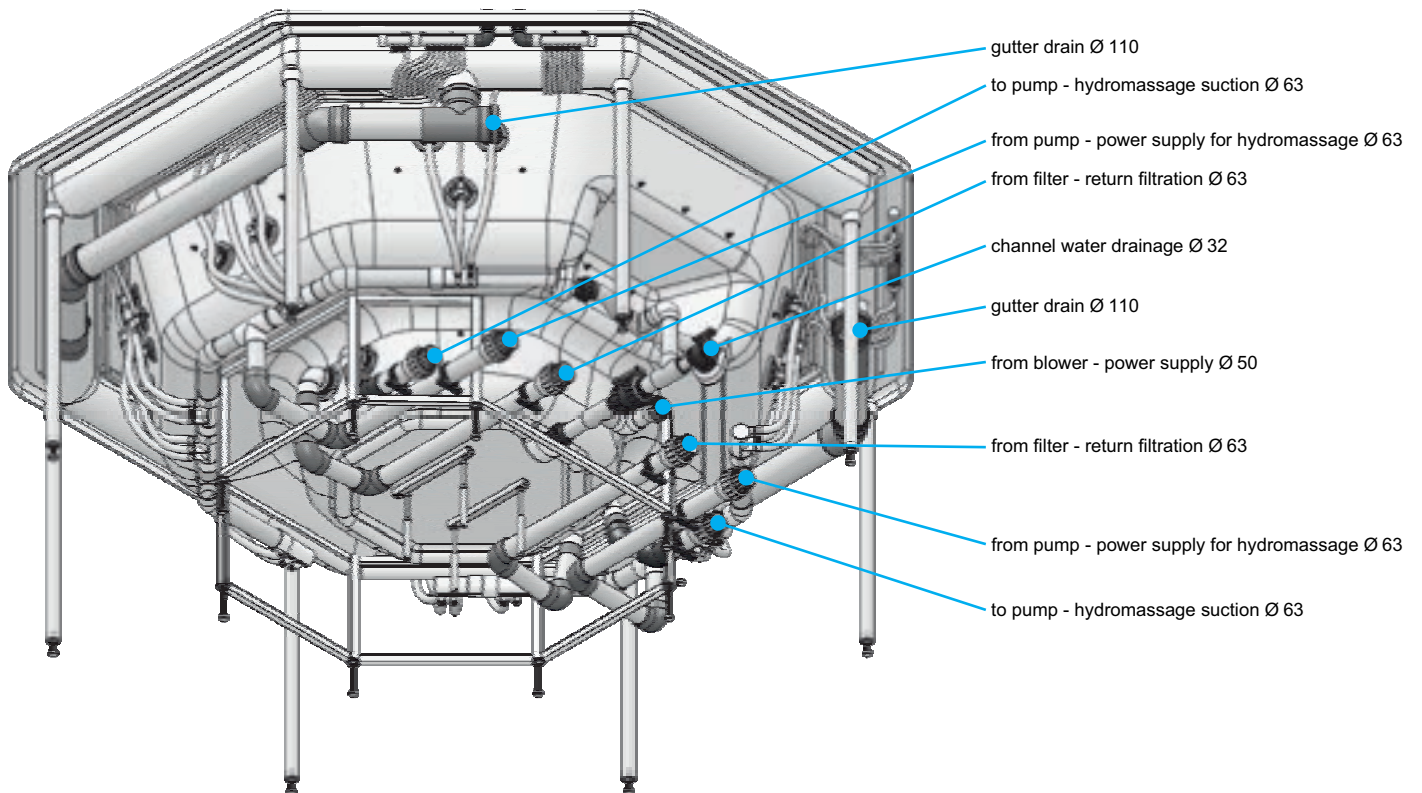
Plumbing scheme for a SPA bathtub with a gutter and a single number of jets (U00), as found in the Vesta bathtub.



Plumbing scheme for a SPA bathtub with a gutter and a double number of jets (U02), as found in the Vesta bathtub.



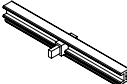
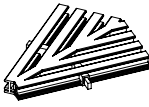
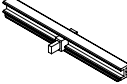

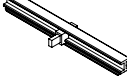
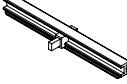
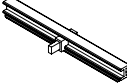
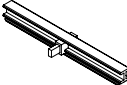

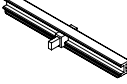

Plumbing scheme for a SPA bathtub with a gutter and 32 jets (U32) as found in the Vesta bathtub.

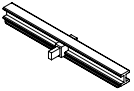
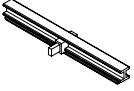
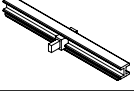

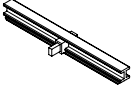


5. TYPE OF JET

Directional jet - PD1000304 (version U00, U02)	
Mini directional jet - PD1000339 (version U32)	
Rotating jet - PD1000344 (version U32)	
Rotating jet - PD1000345 (version U32)	

6. NUMBER AND TYPES OF GRIDS

	Description	Number (pcs.)	Picture
Janette	171ZPD90000026 white grid 200	109	
	171ZPD90000029 grid corner 200	2	
Octavia	171ZPD90000026 white grid 200	204	
	171ZPD90000029 grid corner 200	8	
Victoria	171ZPD90000025 white grid 240	232	
	171ZPD90000046 white grid 220	10	
Classic	171ZPD90000026 white grid 200	273	
	171ZPD90000026 white grid 200	281	
Vesta	171ZPD90000029 grid corner 200	8	
	171ZPD90000026 white grid 200	237	
Natalie	171ZPD90000029 grid corner 200	8	

Olivia	171ZPD90000026 white grid 200	316	
Sunflower	171ZPD90000026 white grid 200	293	
Olimpia	171ZPD90000026 white grid 200	296	
	171ZPD90000029 grid corner 200	8	
Mila	171ZPD90000026 white grid	253	

WARRANTY

1. The party entitled to the benefit of this warranty is the consumer, hereinafter referred to as "Customer".
2. Roca Pool-Spa Sp. z o.o. warrants, subject to the terms and conditions below, that our products were designed and manufactured without any defects, and that they will operate reliably on condition that they are used in accordance with the instructions enclosed.
3. During the warranty period, this warranty shall cover all factory workmanship defects or faulty operation due to the manufacturer's fault and provide for free-of-charge repair or replacement of parts or, if a repair is impossible, replacement of the entire product.
4. Warranty claims shall be submitted at the place of purchase.
5. When repairing defects Roca Pool-Spa Sp. z o.o. reserves the right to decide whether or not specific components of the product will be repaired or replaced, it being understood that the parts replaced will become the property of Roca Pool-Spa Sp. z o.o.
6. The Customer shall inspect the outer surfaces of the product at the place of purchase, also if the product is in its original packaging. Warranty claims relating to damage of outer surfaces submitted after the collection or installation of the product will not be accepted.
7. Warranty claims shall not be accepted in the following cases:
 - mechanical damage caused by e.g. hitting, knocking, scratching,
 - damage caused when cutting openings for faucets,
 - misuse of the product,
 - failure to follow instructions on operation, use and maintenance presented in the manuals,
 - damage caused by water contamination or failure to install mechanical filters in the plumbing system,
 - product repair or alteration by personnel not authorised by Roca Pool-Spa Sp. z o.o.,
 - use of non-original parts,
 - consequences of natural wear and tear during normal use,
 - defects resulting from failure to install the product in accordance with the instructions included with the product or with best construction practices,
 - mechanical damage to the fittings,
 - mechanical damage to the surface of the product,
 - installation of other equipment on SPA product,
 - this warranty does not cover burnt out bulbs in products with pre-installed lighting.
8. The company Roca Pool-Spa Sp. z o.o. shall not be liable for any personal injury or property damage that may be due to any of the reasons set out in Item 7.
9. Warranty repairs shall not include activities to be performed during product use, such as routine maintenance, decalcification and cleaning which the user should carry out themselves at their own expense.
10. Products shall be installed in such a manner as to allow for their dismantling without damaging items of . Otherwise Roca Pool-Spa Sp. z o.o. will not cover additional costs associated with product repair/replacement.
11. The Roca Pool-Spa Sp. z o.o. will not be refunding costs associated with damage to the walls and floor (e.g. glazed tiling, floor tiles, wooden panelling etc.), resulting directly from the necessity to repair the product.
12. In the event it is necessary to replace a defective SPA bathtub with a new one, the Roca Pool-Spa Sp. z o.o. shall not be responsible for dismantling windows, doors etc. It shall be the customer's responsibility to ensure unobstructed access to the bathtub and conditions for its replacement in a convenient manner.

13. Prior to installation of a product it is necessary to check it for completeness and visible damage. Roca Pool-Spa Sp. z o.o. shall not be liable for damage caused by installing a product with a visible defect.

14. The warranty period, which starts from the purchase date of a particular unit, shall be as follows:

- acrylic surface: 5 years
- the other components: 2 years

15. Detailed procedures for product installation, maintenance and use are provided in the manuals delivered with the product. Failure to follow the procedures as well as the guidelines below shall cause warranty claims in respect thereof to be rejected.

16. Product installation carried out in compliance with the Roca Pool-Spa Sp. z o.o. requirements shall be confirmed with an entry to that effect in the warranty booklet.

17. The warranty period shall start on the date of the sale of the product as shown on the proof of purchase.

18. Any defects in the product discovered during the warranty period and not attributable to the fault of the Customer shall be repaired free of charge within 21 calendar days of the receipt of the Customer's notification of the defect unless repairing the defect requires bringing in from outside a component whose delivery period, for reasons beyond the Manufacturer's control, exceeds 21 days.

19. All repairs shall be carried out at the Customer's premises.

20. Costs associated with unfounded claims, particularly costs of travel and labour shall be determined according to the Roca Pool-Spa Sp. z o.o. Price List applicable to repair and maintenance services; costs of visual inspections, tests and expert reports shall be borne by the Purchaser.

21. This warranty does not exclude, limit or suspend the User's rights arising from the non-conformity of the product with the contract.

22. After the expiry of the warranty Roca Pool-Spa Sp. z o.o. offers post-warranty support service against payment.

23. For matters related to this warranty please contact:

Roca Pool-Spa Sp. z o.o.

ul. Wyczółkowskiego 20,
44-109 Gliwice
tel.: +48 91 38 777 00, fax: +48 91 38 777 01
www.poolspa.pl, e-mail: poolspa@pl.roca.com

Service

tel.: +48 91 38 777 48
fax: +48 91 38 777 04

TECHNICAL PRODUCT SHEET



MODEL



FACTORY NUMBER



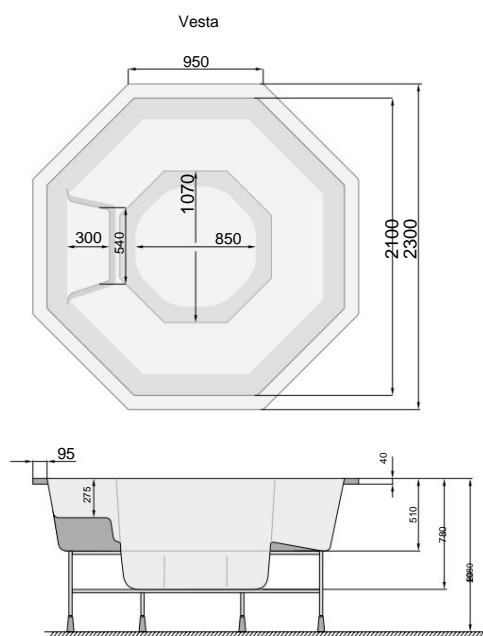
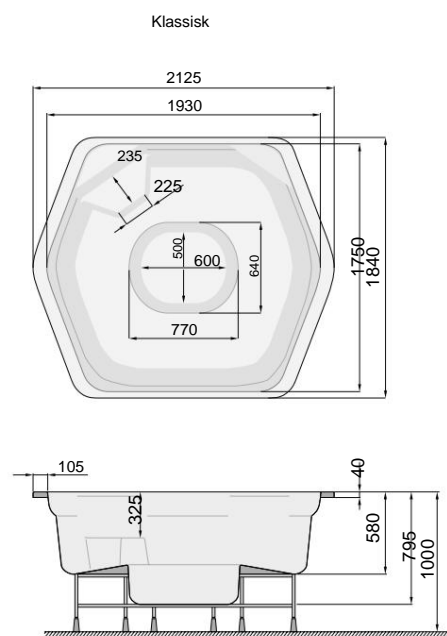
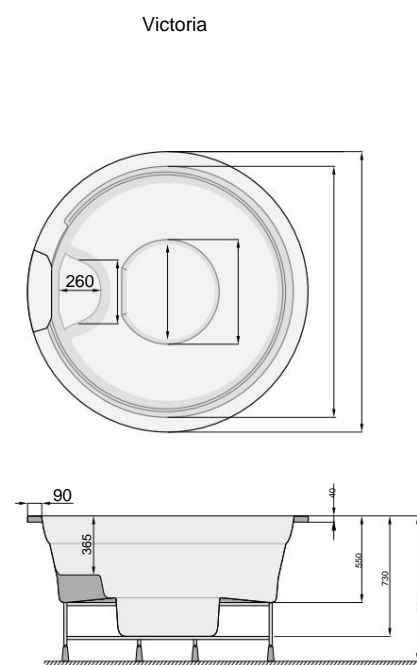
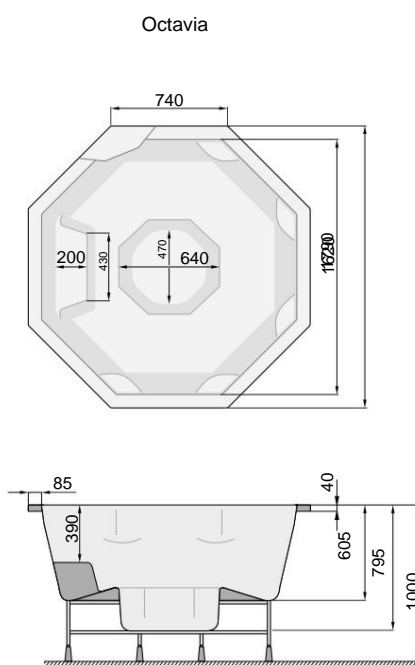
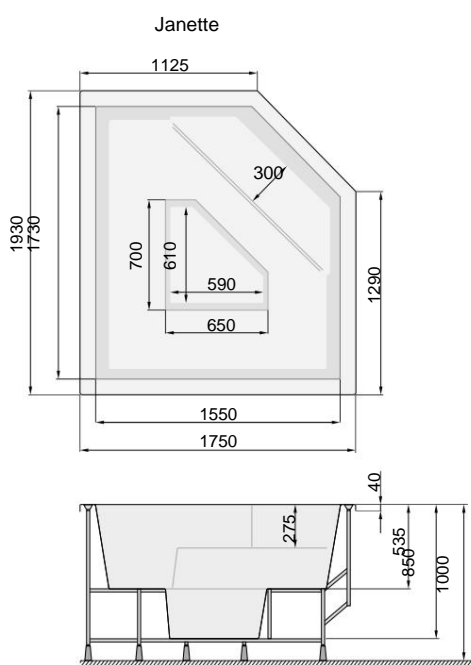
DATE OF PRODUCTION AND TESTING



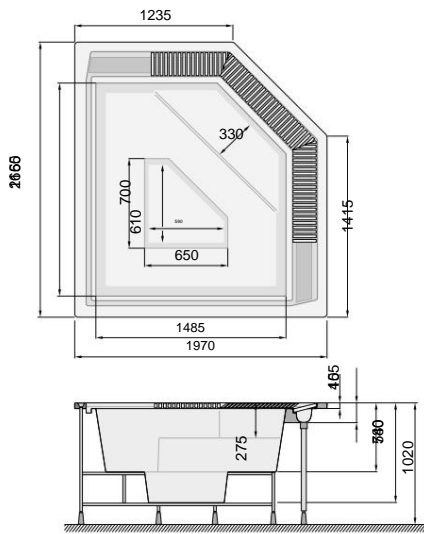
QUALITY CONTROL

1. GENEREL INFORMATION

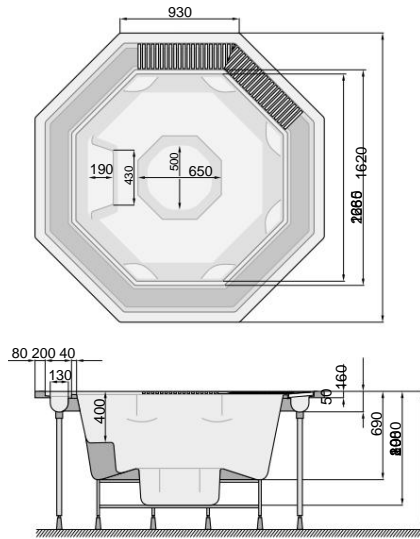
Kapacitet af SPA-bade		
	med skimmer	med overløb
Janette	700 liter	900 liter
Octavia	850 liter	1050 liter
Victoria	800 liter	1100 liter
Klassisk	1100 liter	1400 liter
Vesta	1100 liter	1600 liter
Natalie		1300 liter
Olivia		2100 liter
Solsikke		2000 liter
Olimpia		2000 liter
Mila		1380 liter



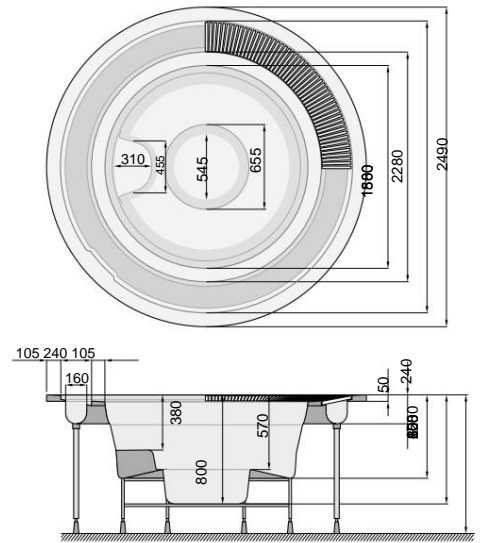
Janette



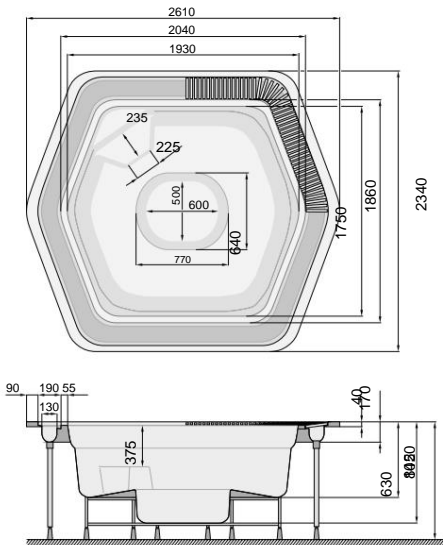
Octavia



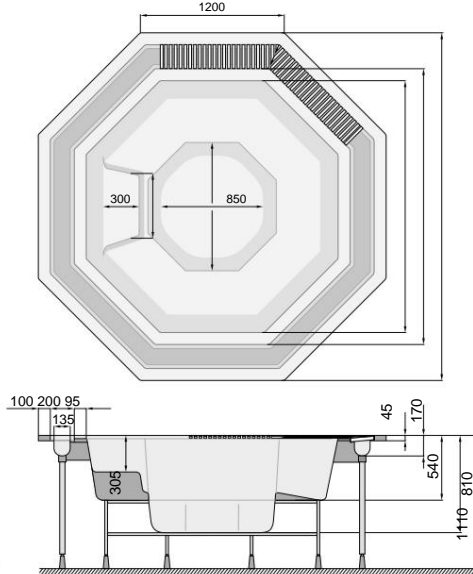
Victoria



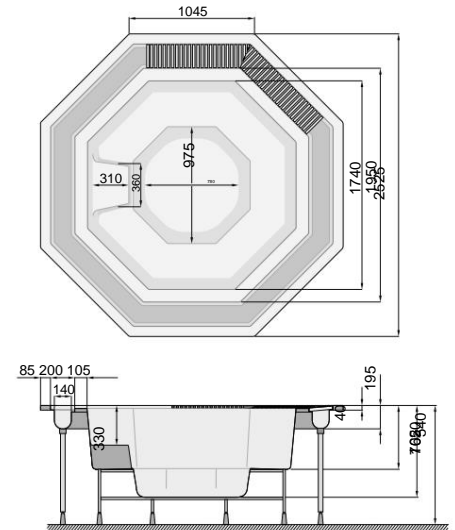
Klassisk



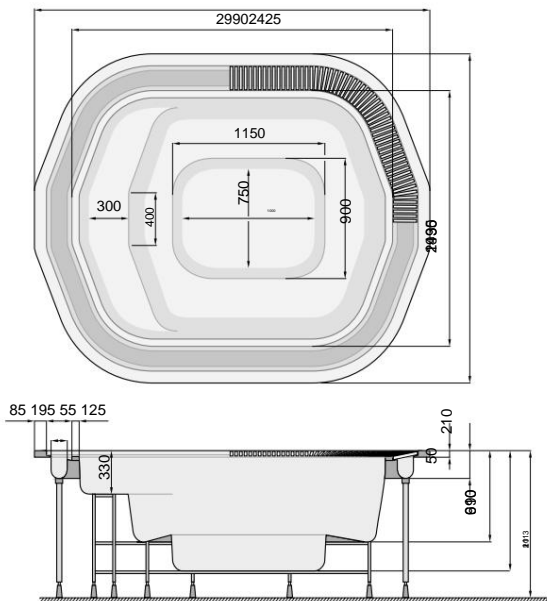
Vesta



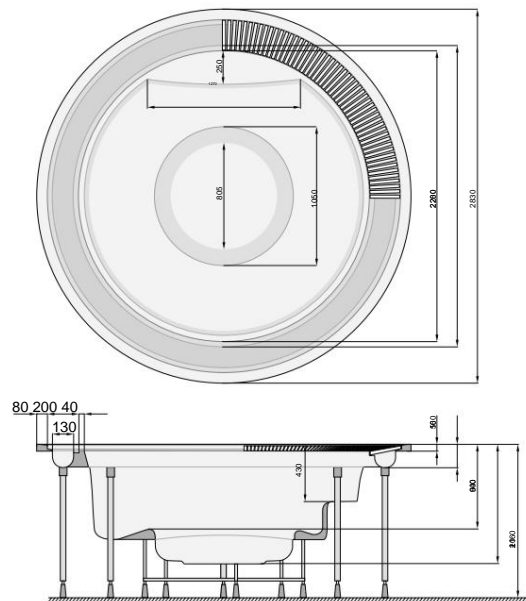
Natalie

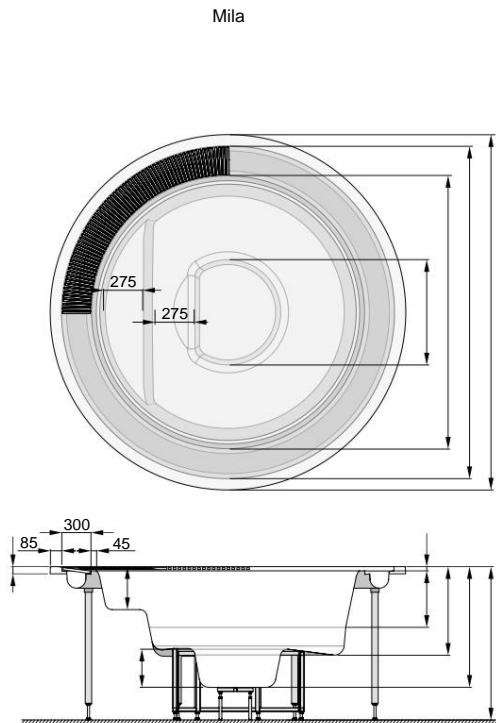
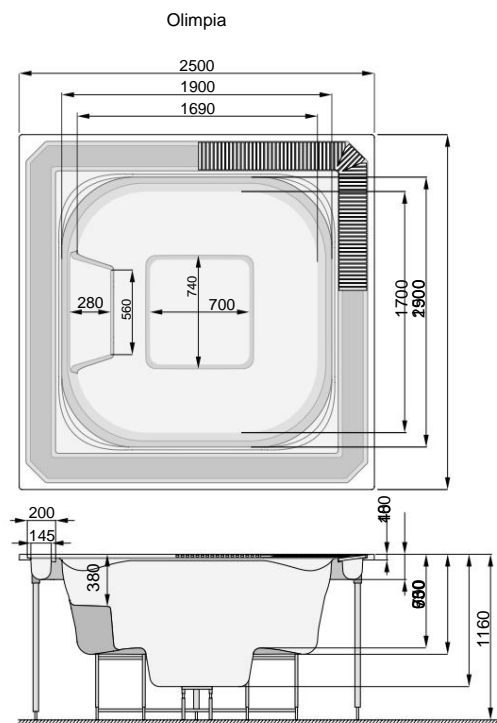


Olivia



Solsikke





Tilslutning af det elektriske system til netværket og tilslutning af fittings til vandledningen skal udføres af autoriserede fagfolk.

2. KLARGØRING AF INSTALLATIONSPLADSEN - SPA-badet

kan bruges både i lukkede eller åbne rum.

- Det skal placeres på et **hårdt, jævnt gulv** for at forhindre det i at synke og sikre korrekt drift.
- Hvis spabadet skal placeres i et lukket rum, skal du sørge for, at der er nok plads til at flytte badekarret ind i rummet
- Dimensioner pladsen, som SPA-badet skal installeres på, så der er nok plads for installatøren til at monterer rør, slanger og kabler korrekt (inklusive tilstrækkelig adgang).
- Husk afløb til tømning af SPA-badet.
- Vær opmærksom på materialet i væggene og loftet, da de skal være modstandsdygtige over for vanddamp, der produceres under SPA-badets drift.
- Da der kan være vandsprøjt under brugen af SPA-badet, skal gulvet være lavet af et meget vandafvisende materiale såsom fliser eller plastikbelægninger. Gulvbelægning, skal være tilstrækkeligt beskyttet mod bakterier, som kan udvikle sig i et fugtigt miljø. Brug specielle tæpper eller belægninger, der bruges til yachtsejlads. Parketgulve eller andre trægulve anbefales heller ikke, medmindre de er blevet bearbejdet på passende vis, som det er tilfældet med træ, der anvendes i haver eller udendørs miljøer

3. INSTALLATION AF BADET OG DET YDERLIGERE TILBEHØR - For at sikre en korrekt funktion

af SPA-badet skal det installeres på et fast og omhyggeligt jævnt gulv (under hensyntagen til afløbshældningen), f.eks. på en 10 cm tyk cementplade for at forhindre, at badet synker.

- Dimensionerne af fordybningen og cementblokken skal være tilstrækkelige til, at installatøren kan arrangere fødder, rør og kabler korrekt.

- Alle forbindelser mellem ekstraudstyret og badet skal foretages ved limning af rør og fittings. Metalrør må ikke anvendes.

- Fyld badet med vand for at sikre, at tilslutningerne er tætte.

- Fyld ikke fordybningen omkring badekarret med materialer, da adgangen til alle rør og tilslutningspunkter skal opretholdes.

- Det anbefales at installere et gulv afløb i badets installationsområde under badets niveau.

4. BELYSNING. (12VDC/AC-1,5A-50/60Hz)

Lyskontakten skal stilles til rådighed af kunden.

Farveskiftet sker efter at lyset slukkes og tændes igen. Lysfarven skifter i en sekvens.

Farverige flerpunktslysindstillinger: 6

strålende farver og 4 farveprogrammer

- **Tidal fade.** Cool farveblending, langsomme overgange mellem grønne og blå toner.

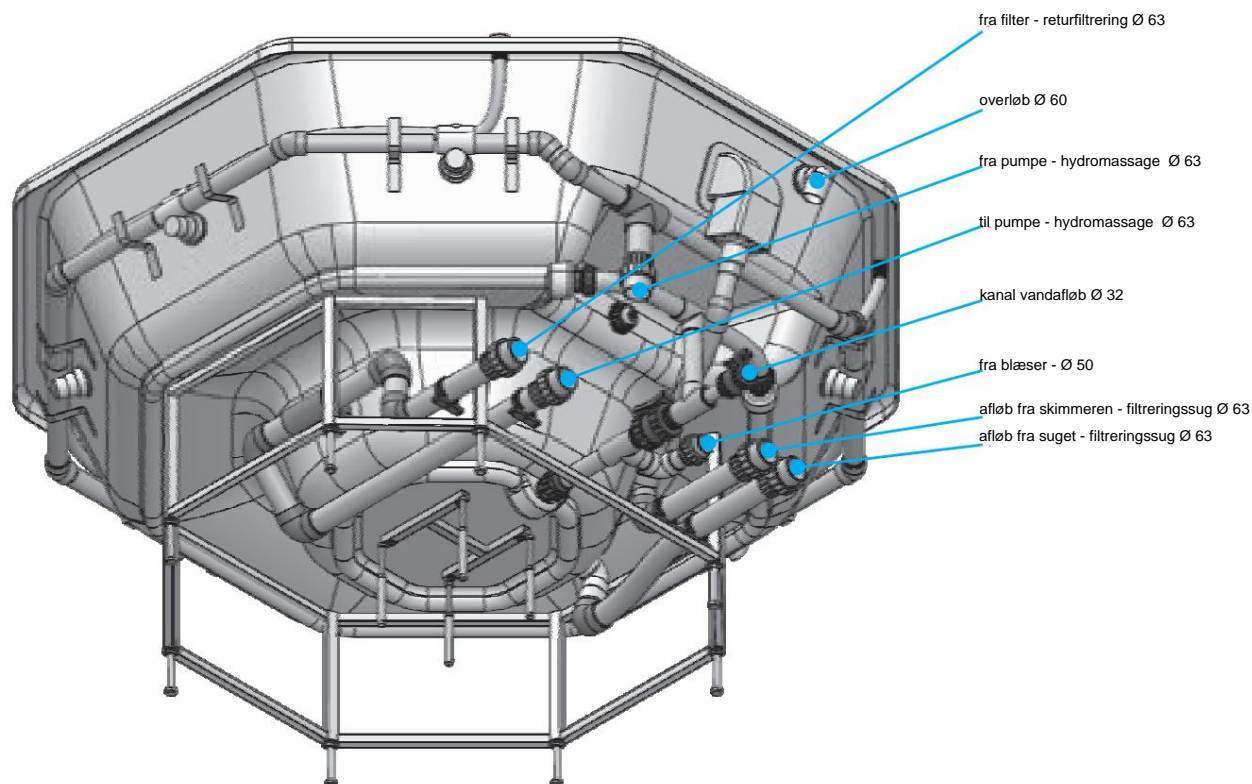
- **Afterburner fade.** Varm farveblending – langsomme overgange mellem røde og orange toner.

- **Spectrum Slowdance.** Langsomme overgange mellem alle seks farver.

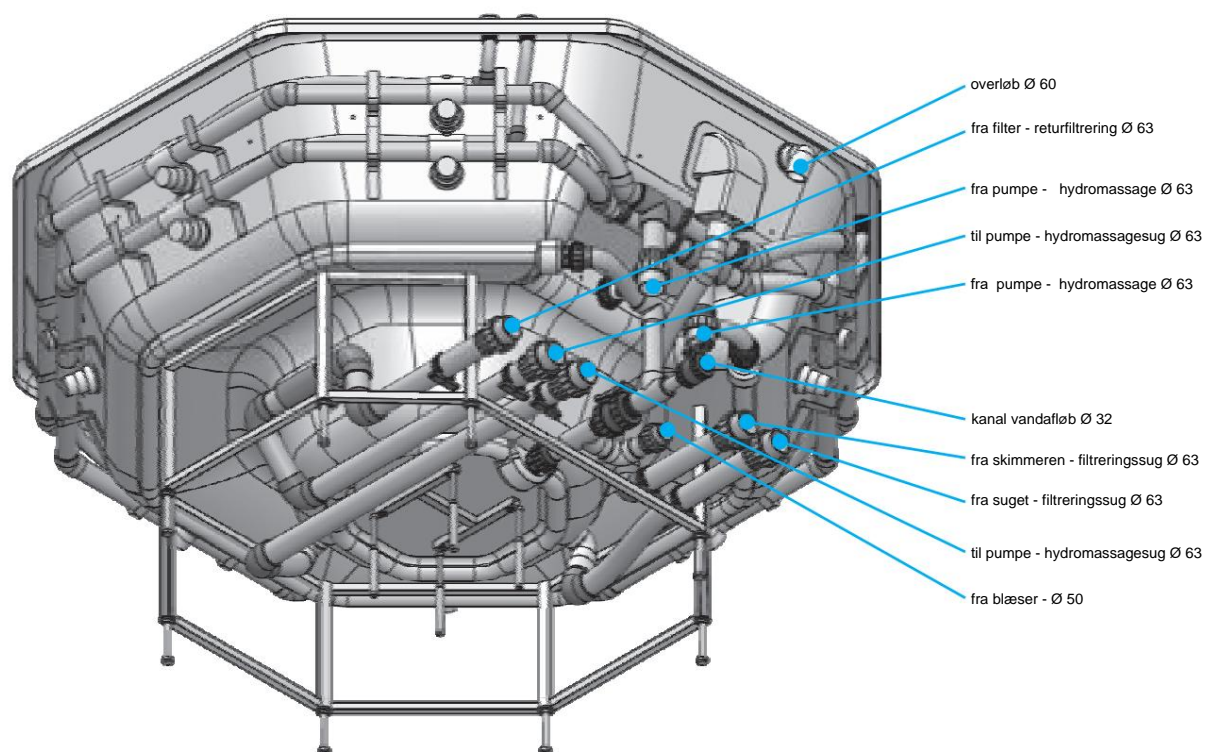
- **Colour Burst.** Hurtig strobe gennem alle seks farver.

5. Rør monterings diagram

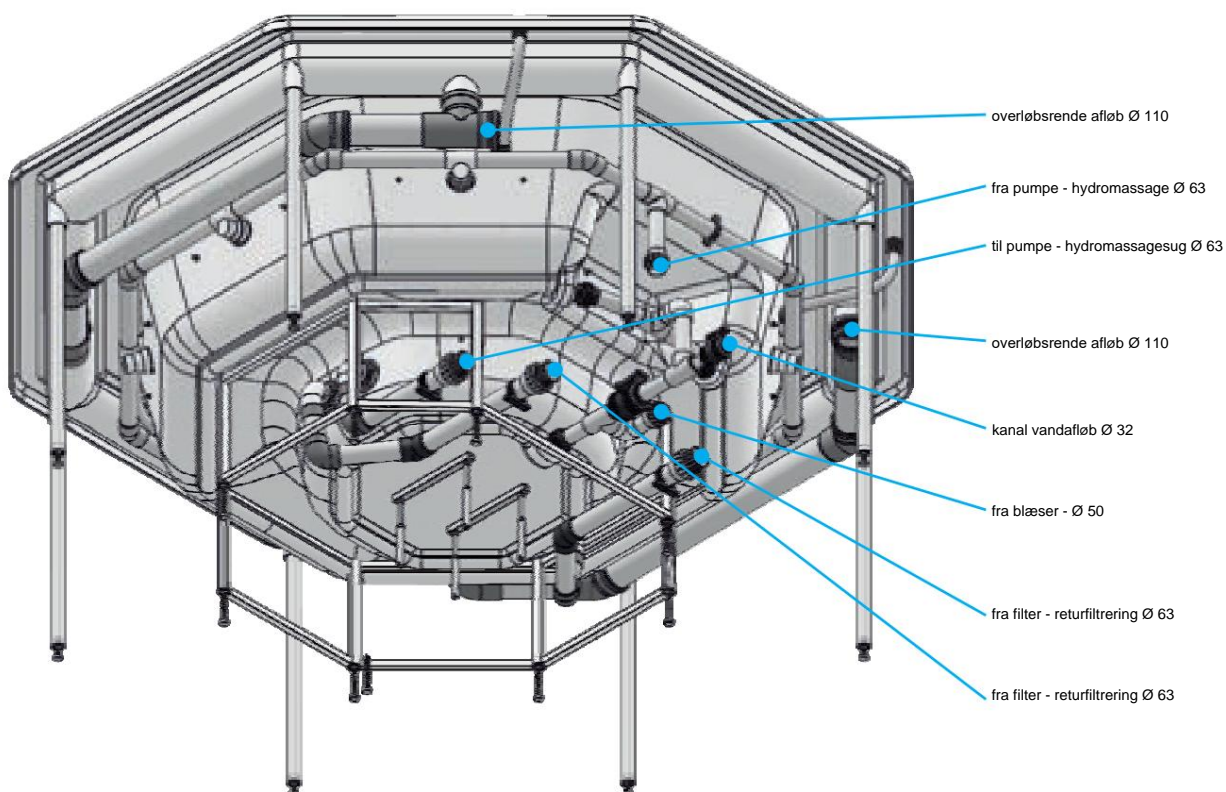
Rørmonterings diagram for SPA med en skimmer og et enkelt antal dyser (U00), som findes i Vesta-badekarret.



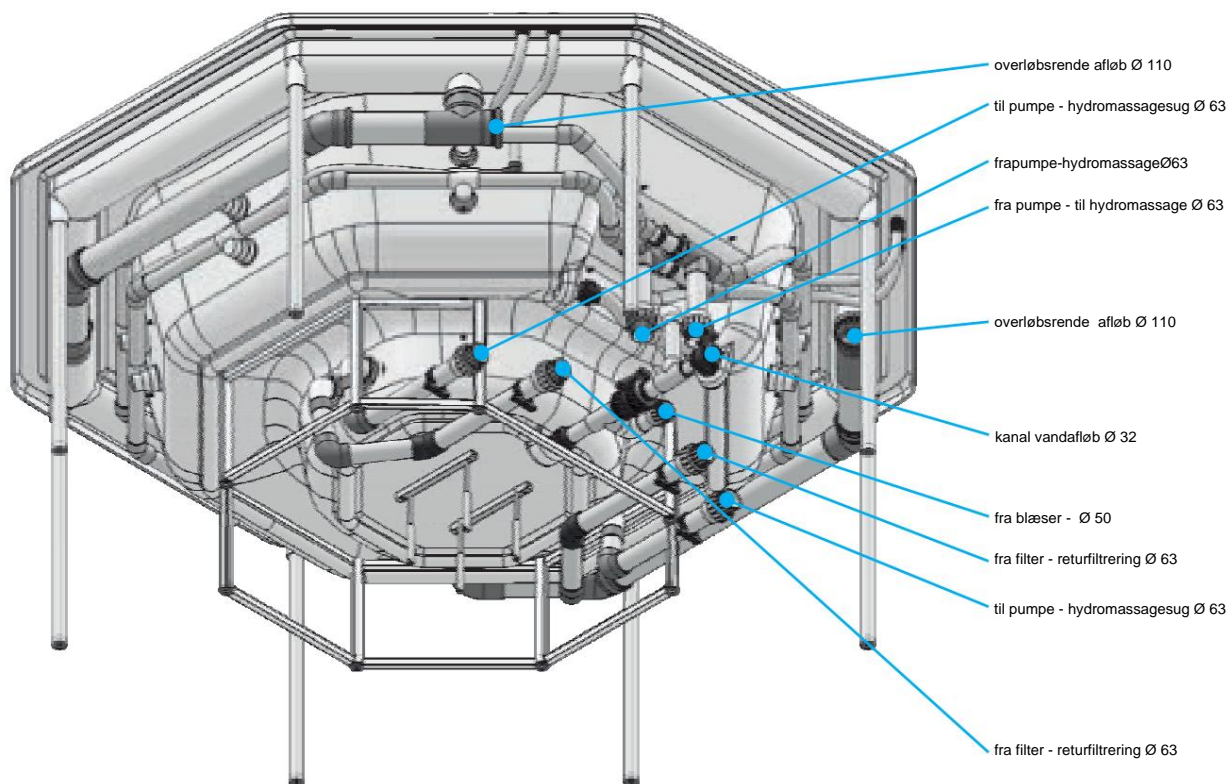
Rør monterings diagram for SPA med en skimmer og et dobbelt antal dyser (U02), som findes i Vesta-badekarret.



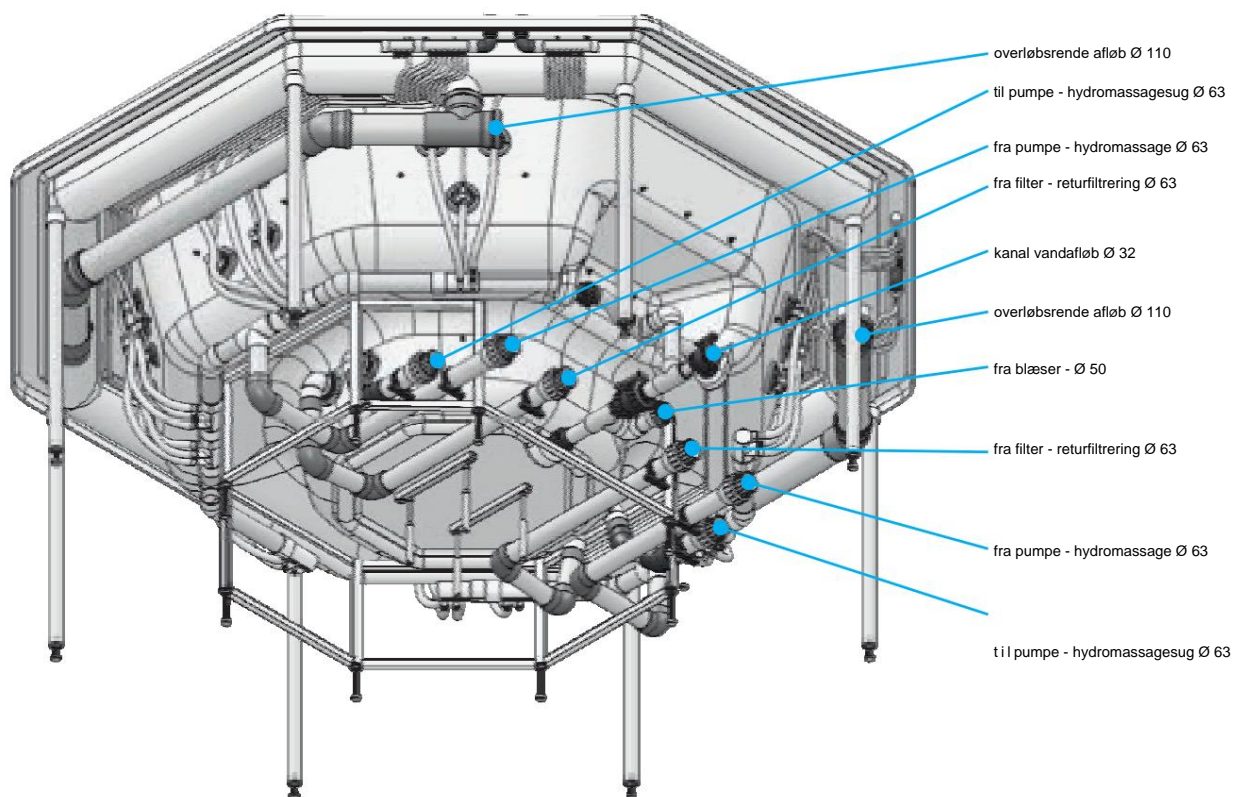
Rør monterings diagram for SPA med overløb og et enkelt antal dyser (U00), som findes i Vesta-badekarret.



Rør monterings diagram for SPA med overløb og dobbelt antal dyser (U02), som findes i Vesta-badekarret.














Rør monterings diagram for SPA med overløb og 32 dyser (U32) som findes i Vesta badekar.








5. TYPER AF JETS

Retningsbestemt - PD1000304 (version U00, U02)	
Mini retningsbestemt jet - PD1000339 (version U32)	
Roterende - PD1000344 (version U32)	
Roterende - PD1000345 (version U32)	

6. ANTAL OG TYPER AF NETT

	Beskrivelse	Antal (stk.)	Billede
Janette	171ZPD90000026 hvid rist 200	109	
	171ZPD90000029 rist hjørne 200	2	
Octavia	171ZPD90000026 hvid rist 200	204	
	171ZPD90000029 rist hjørne 200	8	
Victoria	171ZPD90000025 hvid rist 240	232	
	171ZPD90000046 hvid rist 220	10	
Klassisk	171ZPD90000026 hvid rist 200	273	
Vesta	171ZPD90000026 hvid rist 200	281	
	171ZPD90000029 rist hjørne 200	8	
Natalie	171ZPD90000026 hvid rist 200	237	
	171ZPD90000029 rist hjørne 200	8	

Olivia	171ZPD90000026 hvid rist 200	316	
Solsikke	171ZPD90000026 hvid rist 200	293	
Olimpia	171ZPD90000026 hvid rist 200	296	
	171ZPD90000029 rist hjørne 200	8	
Mila	171ZPD90000026 hvid rist	253	

GARANTI

1. Den part, der er berettiget til denne garanti, er forbrugeren, i det følgende benævnt "Kunden".
2. Roca Pool-Spa Sp. z o.o. garanterer, med forbehold af nedenstående vilkår og betingelser, at vores produkter er designet og fremstillet uden nogen defekter, og at de vil fungere pålideligt på betingelse af, at de bruges i overensstemmelse med de vedlagte instruktioner.
3. I garantiperioden skal denne garanti dække alle fabriksfejl eller funktionsfejl på grund af producentens fejl og sørge for gratis reparation eller udskiftning af dele eller, hvis en reparation er umulig, udskiftning af hele produktet.
4. Garantikrav skal fremsættes på købsstedet.
5. Ved reparation af mangler Roca Pool-Spa Sp. z o.o. forbeholder sig retten til at beslutte, om specifikke komponenter i produktet skal repareres eller udskiftes, idet det er underforstået, at de udskiftede dele bliver Roca Pool-Spa Sps ejendom. Zoo
6. Kunden skal efterse produktets ydre overflader på købsstedet, også hvis produktet er i original emballage. Garantikrav vedrørende beskadigelse af ydre overflader indgivet efter modtagelse eller installation af produktet accepteres ikke.
7. Garantikrav accepteres ikke i følgende tilfælde:
 - mekaniske skader forårsaget af f.eks. slag, bank, ridser,
 - skader forårsaget ved udskæring af åbninger til vandhaner,
 - forkert brug af produktet,
 - manglende overholdelse af instruktioner om betjening, brug og vedligeholdelse angivet i manualerne
 - skader forårsaget af vandforurening eller manglende installation af mekaniske filtre i rør-systemet
 - produktreparation eller ændring udført af personale, der ikke er autoriseret af Roca Pool-Spa Sp. z o.o,
 - brug af uoriginale dele,
 - konsekvenser af naturligt slid og ælde under normal brug,
 - defekter som følge af manglende installation af produktet i overensstemmelse med de instruktioner, der følger med produktet eller med bedste konstruktionspraksis,
 - mekaniske skader på armaturerne
 - mekanisk beskadigelse af produktets overflade
 - installation af andet udstyr på SPA-produktet
 - denne garanti dækker ikke udbrændte pærer i produkter med forudinstalleret belysning.
8. Firmaet Roca Pool-Spa Sp. z oo er ikke ansvarlig for personskade eller ejendomsskade, der kan skyldes nogen af årsagerne angivet i punkt 7.
9. Garantireparationer omfatter ikke aktiviteter, der skal udføres under produktets brug, såsom rutinemæssig vedligeholdelse, afkalkning og rengøring, som brugeren selv skal udføre for egen regning.
10. Produkter skal installeres på en sådan måde, at de kan demonteres uden at beskadige af genstande. Ellers vil Roca Pool-Spa Sp. z o.o. ikke dække yderligere omkostninger forbundet med produktreparation/udskiftning.
11. Roca Pool-Spa Sp. z o.o. refunderer ikke omkostninger forbundet med skader på vægge og gulv (f.eks. glaserede fliser, gulvfliser, træpaneler osv.), som er direkte opstået som følge af nødvendigheden af at reparere produktet.
12. I tilfælde af at det er nødvendigt at udskifte et defekt SPA badekar med et nyt, er Roca Pool-Spa Sp. z o.o. ikke ansvarlig for afmontering af vinduer, døre mv. Det er kundens ansvar at sikre uhindret adgang til badekarret og betingelser for udskiftning heraf på en bekvem måde.

13. Før installation af et produkt er det nødvendigt at kontrollere det for fuldstændighed og synlige skader. Roca Pool-Spa Sp. z o.o. er ikke ansvarlig for skader forårsaget af installation af et produkt med en synlig defekt.

14. Garantiperioden, som starter fra købsdatoen for en bestemt enhed, skal være som følger: — akryloverflade: 5 år — de øvrige komponenter: 2 år

15. Detaljerede procedurer for produktinstallation, vedligeholdelse og brug findes i de manualer, der leveres sammen med produktet. Manglende overholdelse af procedurerne samt retningslinjerne nedenfor vil medføre, at garantikrav i forbindelse hermed afvises.

16. Produktinstallation udført i overensstemmelse med Roca Pool-Spa Sp. z oo krav skal bekræftes med en indtastning herom i garantihæftet.

17. Garantiperioden begynder på datoen for salget af produktet som vist på købsbeviset.

18. Eventuelle fejl ved produktet, der opdages i garantiperioden, og som ikke kan henføres til kundens fejl, skal repareres gratis inden for 21 kalenderdage efter modtagelsen af kundens meddelelse om defekten, medmindre udbedring af manglen kræver indbringning af en komponent udefra, hvor leveringstiden af årsager uden for producentens kontrol overstiger 21 dage.

19. Alle reparationer skal udføres på kundens område.

20. Omkostninger forbundet med ubegrundede krav, især rejse- og arbejdsomkostninger, skal fastsættes i henhold til Roca Pool-Spa Sp. z oo Prislister gældende for reparations- og vedligeholdelsestjenester; omkostninger til visuelle inspektioner, prøver og ekspertrapporter afholdes af køber

21. Denne garanti udelukker, begrænser eller suspenderer ikke brugerens rettigheder som følge af produktets manglende overensstemmelse med kontrakten.

22. Efter udløbet af garantien Roca Pool-Spa Sp. z o.o. tilbyder supportservice efter garanti mod betaling.

23. For spørgsmål relateret til denne garanti kontakt venligst:

Roca Pool-Spa Sp. z oo ul.

Wyczółkowskiego 20, 44-109

Gliwice tlf.: +48 91

38 777 00, fax: +48 91 38 777 01

www.poolspa.pl, e-mail:

poolspa@pl.roca.com

Servicetlf .:

+48 91 38 777 48 fax: +48

91 38 777 04

TEKNISK PRODUKTBLAD



MODEL

[Empty input field for Model]



FABRIKSNUMMER

[Empty input field for Factory Number]



DATO FOR PRODUKTION OG PRØVNING

[Empty input field for Date of Production and Testing]



KVALITETSKONTROL

[Empty input field for Quality Control]