

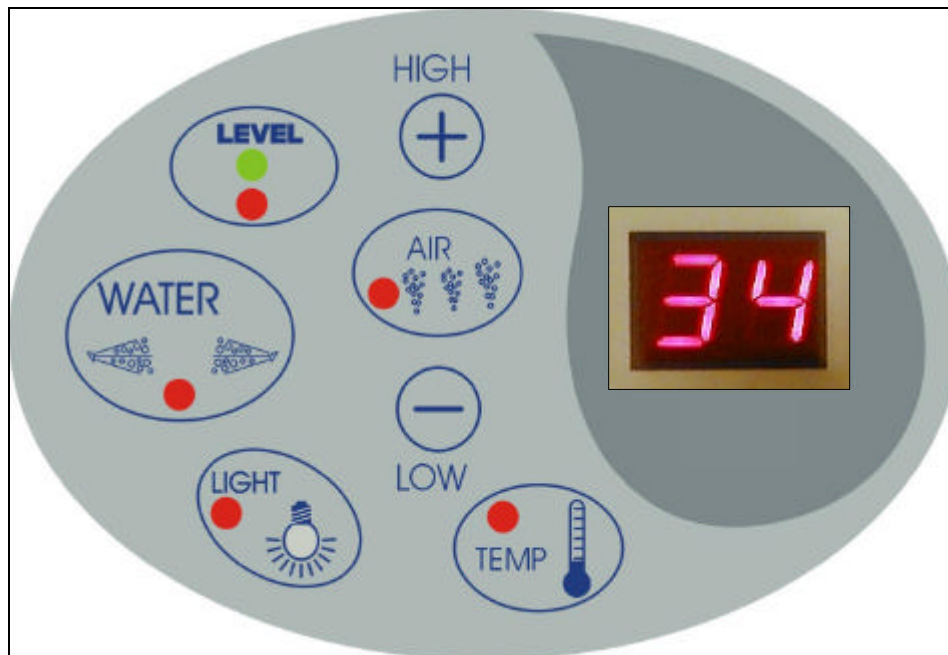
**International
Marketing a/s**
IMage
Pool - Spa - Sauna

Randersvej 6.
DK-6700 Esbjerg, Denmark
Tlf: +45 75 272 333.
Fax: +45 75 272 111.
E-mail: info@im-image.com
Homepage: www.im-image.com



Manual

IMage® electronic control with temperature regulation Type 64-102050-1



International Marketing A/S reserves the right to make product changes without notice.
Copyright: International Marketing A/S

Edition: 1.0 01 – 2005.

Language: English



Congratulations on your new IImage® electronic control with temperature regulation.

Please read these instructions carefully before installing the unit.

On receipt of the unit, please check for transport damage immediately.

Standards:

This IImage® electronic control complies with current rules and standards on safety.

The control with touch pad, temperature sensor and level sensor has been tested against the following standards:

EN 60335-2-60, EN 55014-1, EN 55014-2, EN 61000-3-2 + A1 + A12 + A2, EN 61000-3-3.

Contents

1. Technical data
2. Touch and control functions
3. Automatic air duct drying
4. Connection of IImage® Electric heater type 34-111406
5. Electrical installation of control
6. Error messages

1. Technical data

Technical data for IImage® electronic control panel	
Voltage	400 V 2 N + earth. 50-60 Hz.
Current / amp.	2300 W / 10 A.
Touch / panel digital	3-core wire. 2 m. Touch dimensions: 104 x 74 mm. Installed dimensions = 96.5 x 67 mm Installed dimensions "stand-up" = Ø24 mm. Stand-up height = 93 mm.
Automatic air duct drying	The control features automatic air duct drying. The blower starts automatically 15 minutes after water has been led out of the tub. Drying time is 5 minutes.
Level sensor	3-core wire. 1 m. Sensor dimensions = 47 x 31 mm.
Temperature sensor	3-core wire. 2 m. PG 7.
Control box	Dimensions: 158 x 118 x 81 mm PG 7 - PG 9 screw
Pump output	230 V. Max. 1100 W.
Blower output	70-230 V. Variable tension. Max. 1100 W.
Lighting output	230 V. Max. 100 W. To be mounted with transformer 230/12 V for spa lighting
Electric heater output	Tension-free relay. Make signal to electric heater.
Timer function	All functions have a 20-minute interval. Functions are thus disabled automatically after 20 minutes' operation.

Level sensor (Dry running safety system)

The level sensor (LS) must be installed in order to protect the pump, spa lighting and any externally fitted electric heater. The blower is not affected by LS.



- Affix **LS** to rear of acrylic tub using silicone adhesive.
- **LS** must be positioned at least 2 cm above upper nozzle.
- **LS** must be accessible in order to allow any subsequent adjustment of the trimmer even when the tub is built into position. The trimmer has a white screw, which can be turned either clockwise or anti-clockwise.
- Check that the light-emitting diode goes on when the tub water level covers more than 85% of **LS**. Otherwise, adjust the trimmer. Check that the light-emitting diode goes off when the water level no longer covers **LS**. Repeat test if necessary.
- **LS** has a delay of approx. 25 seconds, i.e. when the light-emitting diode on **LS** goes on, it takes about 25 seconds before the level indicator in the touch pad changes to green. The functions can then be started.

2. Touch and control functions



Level indicator

Green light when tub water level covers more than 85% of LS. **All functions can now be started.**

See also information about level sensor (LS).



Starts and stops the therapy pump.

Lights red when the pump starts.

The pump stops automatically after 20 min.



Starts and stops the blower.

Lights red when the pump starts.

The blower stops automatically after 20 min.

The blower does not affect the level sensor.

Press + to increase blower speed. Blower stage is briefly shown in the display.

Press – to reduce blower speed. Blower stage is briefly shown in the display.



Switches spa lighting on and off.

Lights red when spa lighting is on.

Switches off automatically after 20 min.



Switches electric heating and temperature regulation on and off.

Minimum temp. 20°C. Maximum temp. 40°C.

Press the button for 3 seconds and then press – to reduce the required "set" temperature. Press the button for 3 seconds and then press + to increase the required "set" temperature.

The new "set" temperature is briefly shown in the display.



LED display.

The following information is shown in the display:

- Present water temperature.
- "Set" temperature.
- Blower speed. Stages 20–1.
- Countdowns during automatic air duct drying.

3. Automatic air duct drying

The control features automatic air duct drying.

When bathing is over, the drain is opened to let out the bath water. The drain must be left open.

The blower starts automatically after 15 minutes and dries the air duct.

The countdown from 15 to 0 is shown in the display before the blower starts.

The blower runs for 5 minutes. The countdown from 5-0 is shown in the display.

Automatic air duct drying only starts when the bath tub has been used for minimum 5 minutes.

4. Connection to IMage® electric heater type 34-111406

The control is prepared for the connection of **IMage® electric heater type 34-111406.**

The electric heater is an independent unit with its own power supply, 400 V 3 N + earth. The electric heater is connected to the control heat relay via a 2-core control current cable. The control heat relay is potential free (start / stop only). **Important: The electric heater must be equipped with pressure switch or flowswitch.**

See fig. 2

5. Electrical installation of control

The control and electric heater are both connected to the same electrical group 3x400 V 16 A.
 A two-phase 1.5 mm² cable (neutral and earth) is connected to the control. (400 V 2 N)
 (The electric heater main cable (main) is run to the group) (400 V 3 N).

Pump, blower and transformer for spa lighting are connected.

The electric heater control cable is connected to the control heat relay. **See fig. 1**

Flowswitch and / or pressure switch.

As the electric heater 34-111406 is equipped with its own flowswitch or pressure switch, flow terminals 1–2 in the control must be short-circuited (only used when an electric heater of the type **Image 34-111406** is not in operation).

Fig. 1

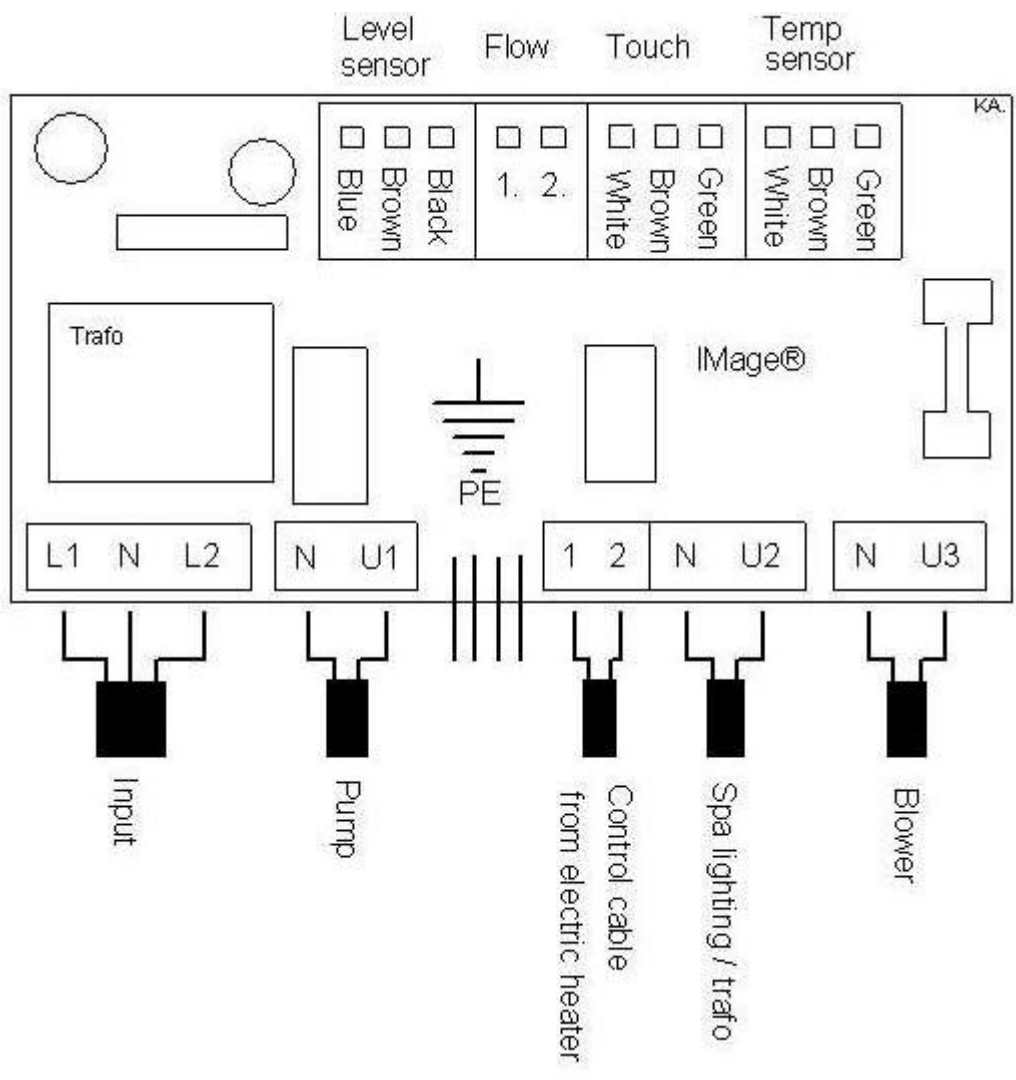
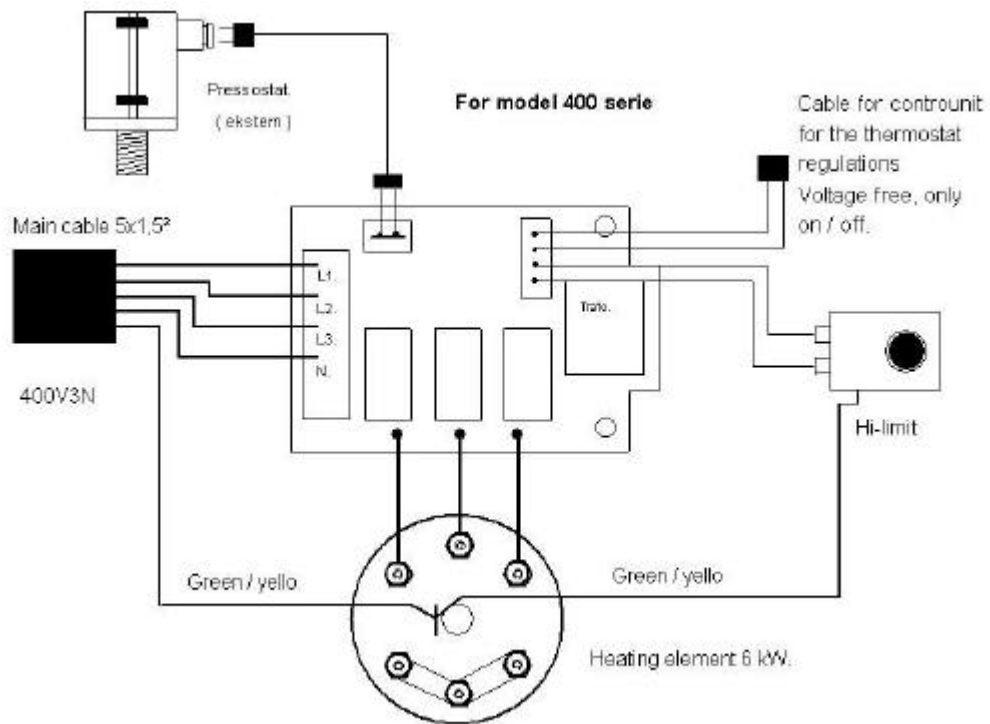


Fig. 2



6. Error messages

E1 = Bad connection between control and touch panel.

E2 = Bad connection between control and temperature sensor.

85 or 00 = Electric heater cannot cut in because of a fault in the temperature sensor.