



INSTRUCCIONES DE MONTAJE

CAÑÓN TAHITI

ASSEMBLY INSTRUCTIONS

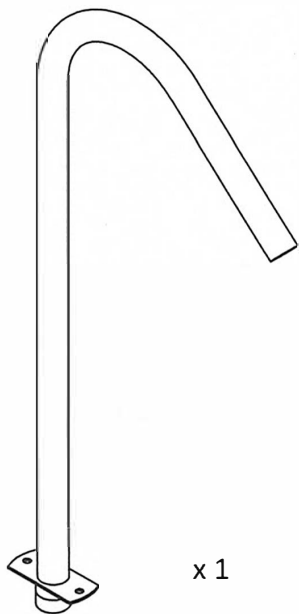
CANNON JET TAHITI

INSTRUCTIONS DE MONTAGE

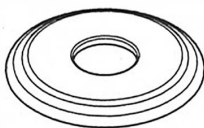
CANON TAHITI

MONTAGEANLEITUNGEN

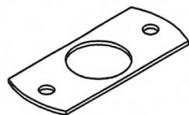
FONTÄNE TAHITI



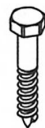
x 1



x 1



x 1



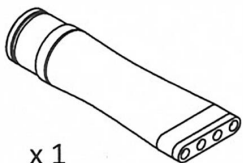
x 4



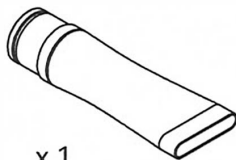
x 4



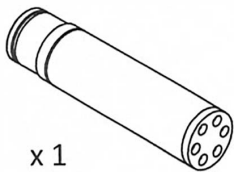
x 4



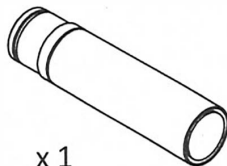
x 1



x 1

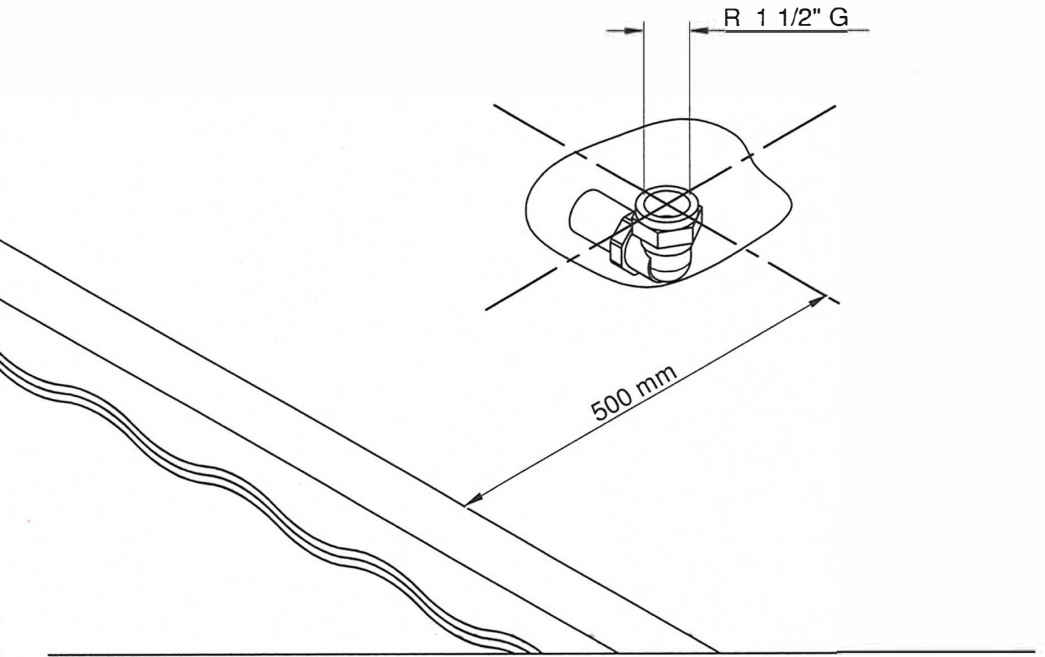


x 1

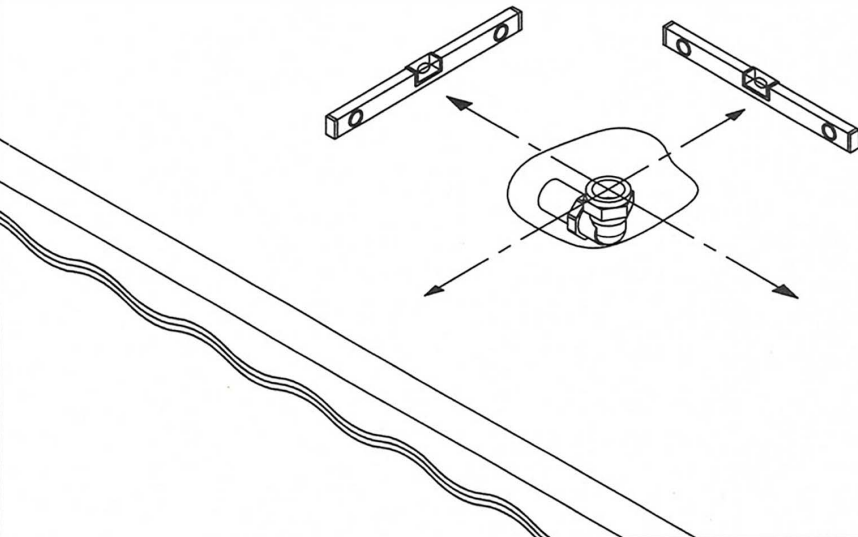


x 1

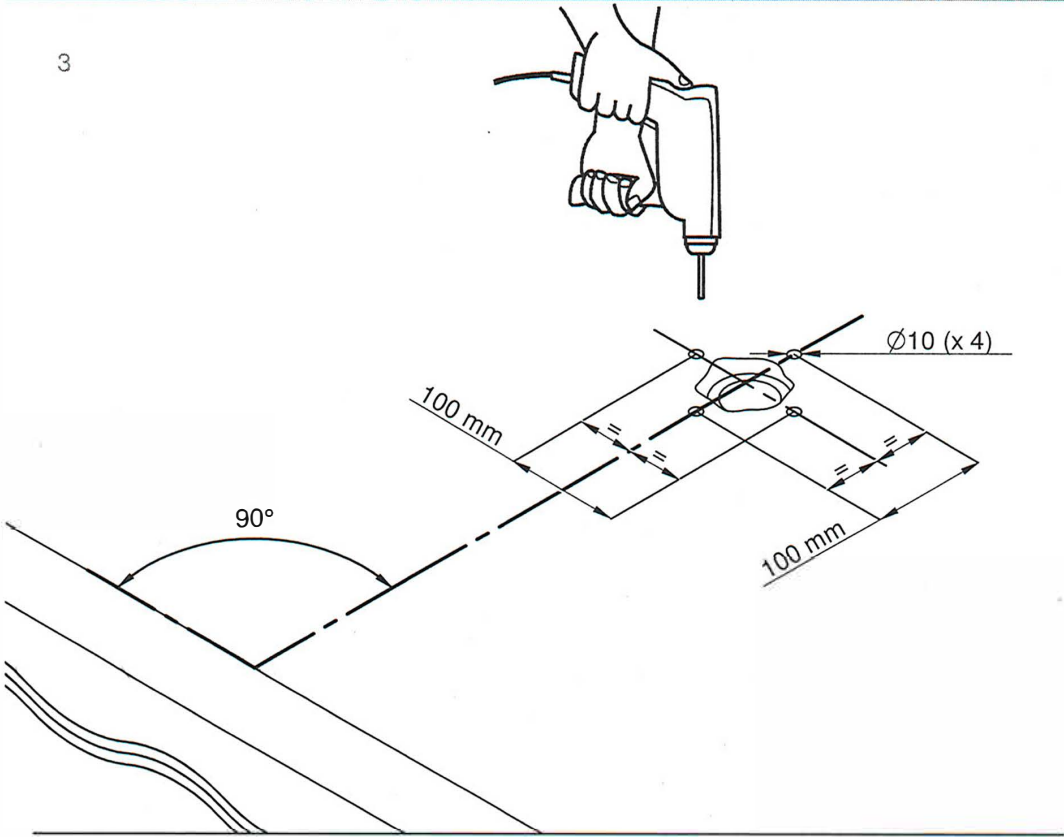
1



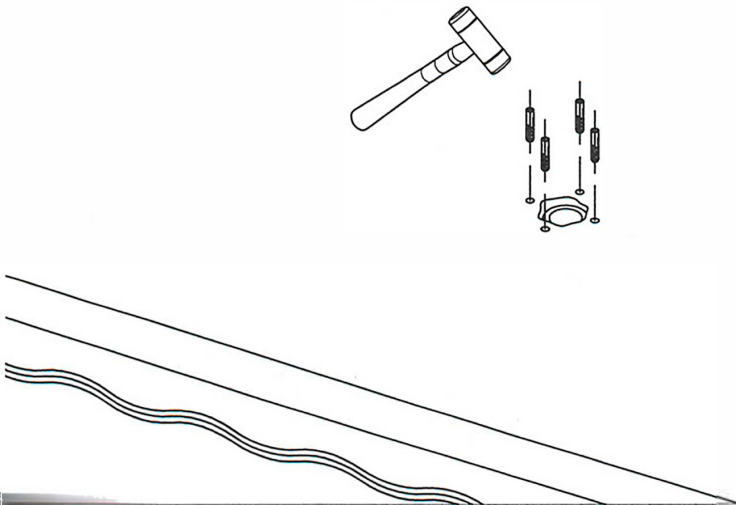
2



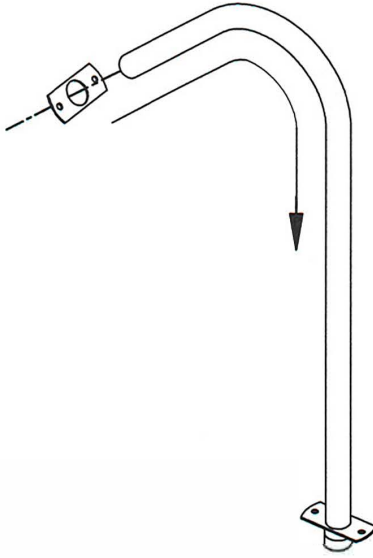
3



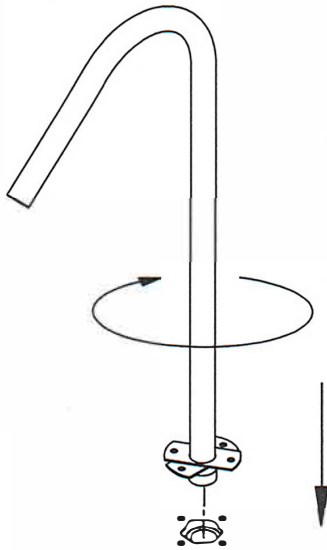
4



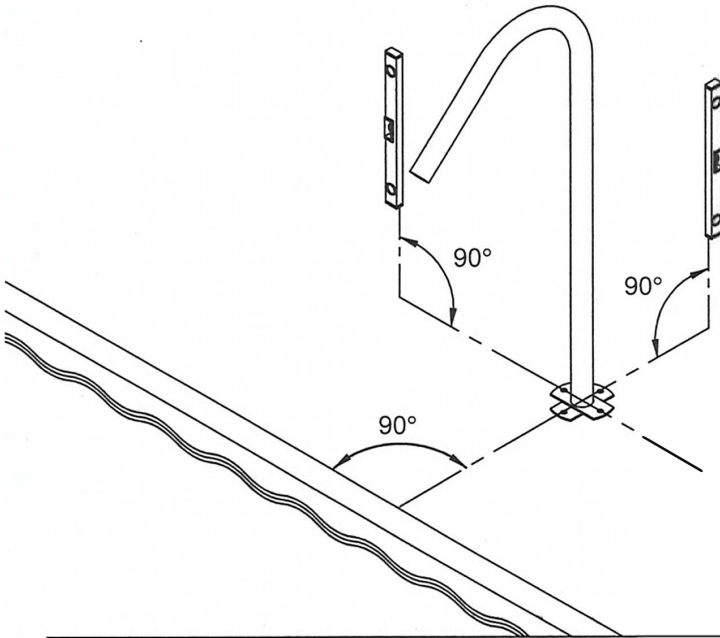
5



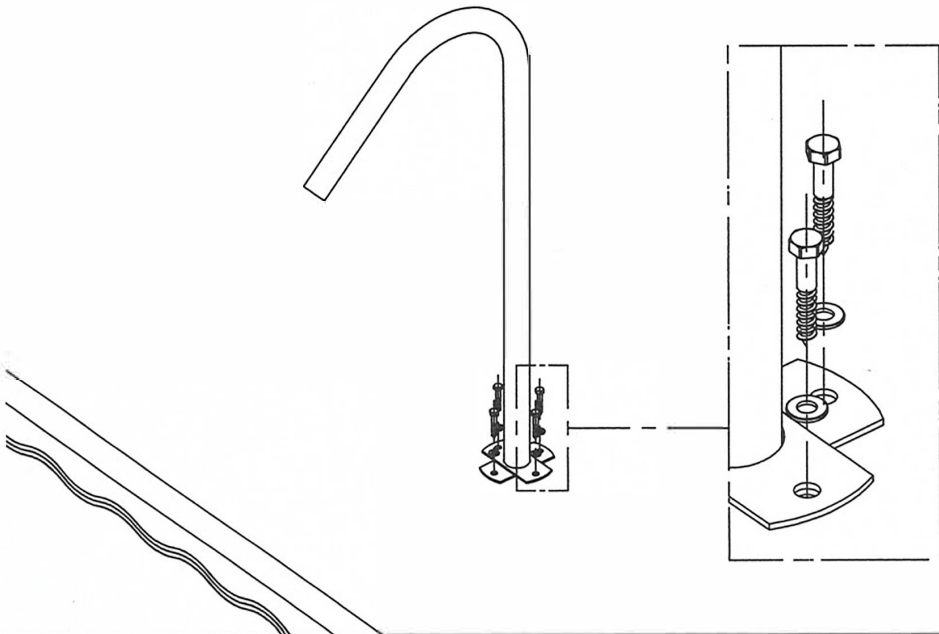
6

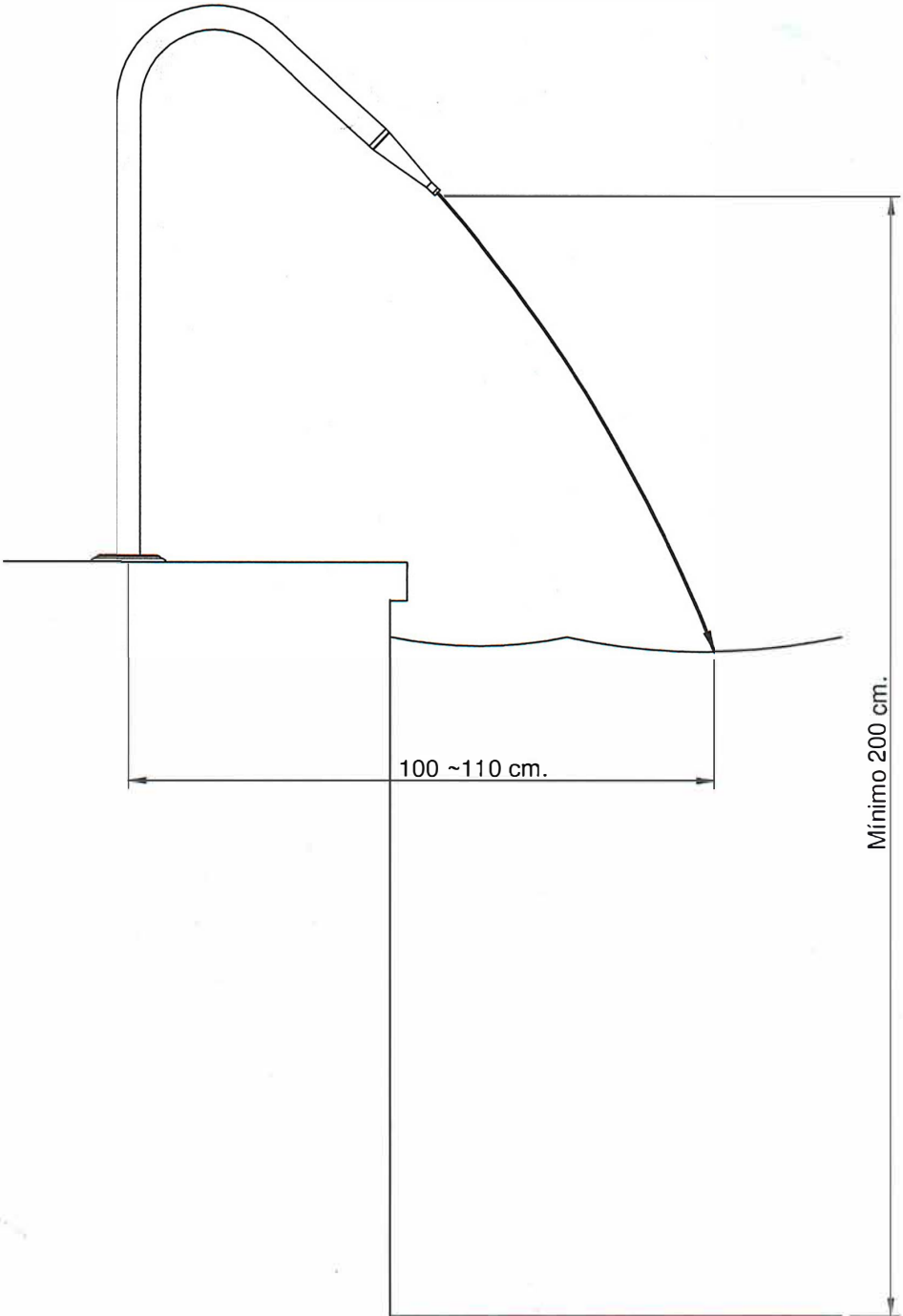


7



8





100 ~110 cm.

Minimo 200 cm.